

Wedgetail Rails and Platform Fitting Instruction

To suit ARB Classic Canopy



WT-ACC-1813

Congratulations on the purchase of your Australian made Wedgetail Roof Rack product.

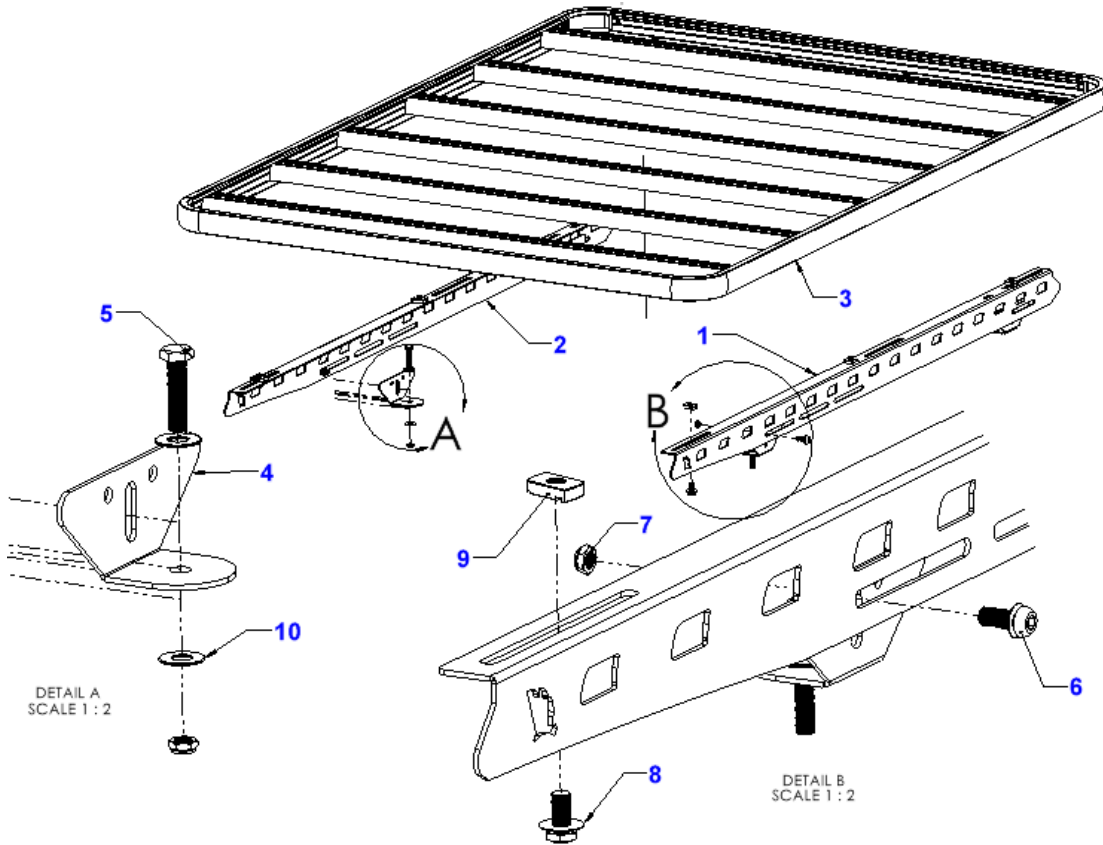
Please read and follow the instructions carefully to ensure correct fitment.

Contact us if any parts appear missing, incorrect, or damaged.

Clean the roof prior to fitting the roof racks.

Tools Required:

- Hex key (8 mm)
- Drill (10mm)



KIT CONTENTS

ITEM	COMPONENT	QTY	ITEM	COMPONENT	QTY
1	Wedgetail ARB Classic Left Rail	1	6	M10 Dacro Sems Dome Head	4
2	Wedgetail ARB Classic Right Rail	1	7	10mm Nyloic Nut	8
3	Wedgetail Pre-assemble platform	1	8	M10 x 20 Stainless Hex Bolt Sems	6
4	ARB Front Lug	4	9	M10 Unistrut	6
5	10mm x 40 mm Hex Bolt	4	10	10mm Flat Washer	12

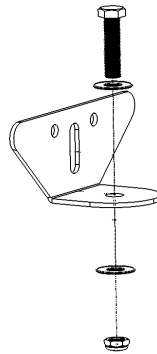
Assemble Lugs to roof

1

- Using the canopy internal frame kit to locate the corner and drill out for 10mm bolt
- Drill through the canopy surface from inside out

2

- Place lugs on each corner and fit in with 10mm x 40mm Hex bolt / Washer / Nyloc nut



3

- Tighten all 4 lugs and blow out canopy from drilling debris

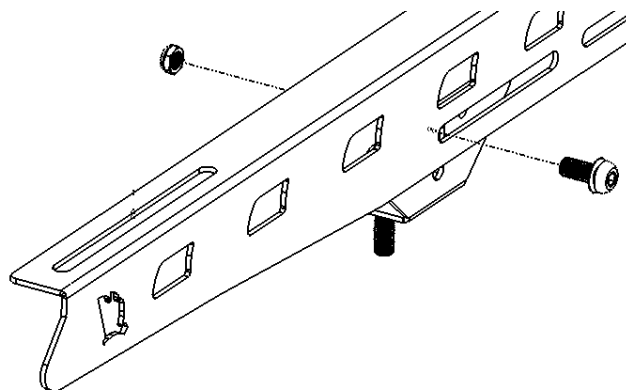
4

- Apply silicone on all the roof channel mounting holes to prevent any water ingress.

Assemble rails to lugs

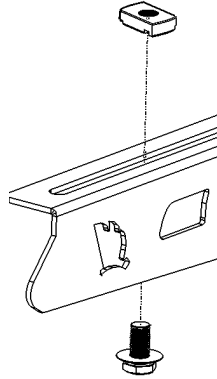
5

- Fit rails to the vehicle using 10mm hardware (wedgetail logo facing to the front of vehicle)



6

- Attach the channel nuts to the top of rail.
 - Fit 10mm Bolt / Split washer / Flat washer / Channel Nuts to the top of rail.
- * Channel nuts to the top as shown in the following diagram



Assemble the Wedgetail Platform to the rails

7

- Place the Wedgetail Platform on the rails (Wind deflector mounting towards the front of vehicle), then spin the channel nuts 90 degree in the channel on the underside of the rack till they lock into the channels. Do not tighten fully.

8

- Centralize the rack side to side (using a tape measure) on the wedgetail rails.

9

- Fully tighten remaining bolts in the following order:
 1. Rails to the lugs
 2. Rails to platform
 3. Attach wind Deflector.

NOTE-Ensure the channel nuts are 90 degrees to the channels.



Check fastenings are firmly tensioned at regular intervals.

Do not overtighten, this will preserve the spring washers.

Thank you for your purchase.

Please complete your warranty application following correct installation.

Wedgetail by Tradesman Roof Racks

Innovation through Inspiration