

Wedgetail Rails and Platform Fitting Instruction

To suit EGR Roll top tub rack



WT-EGRRTR-1415

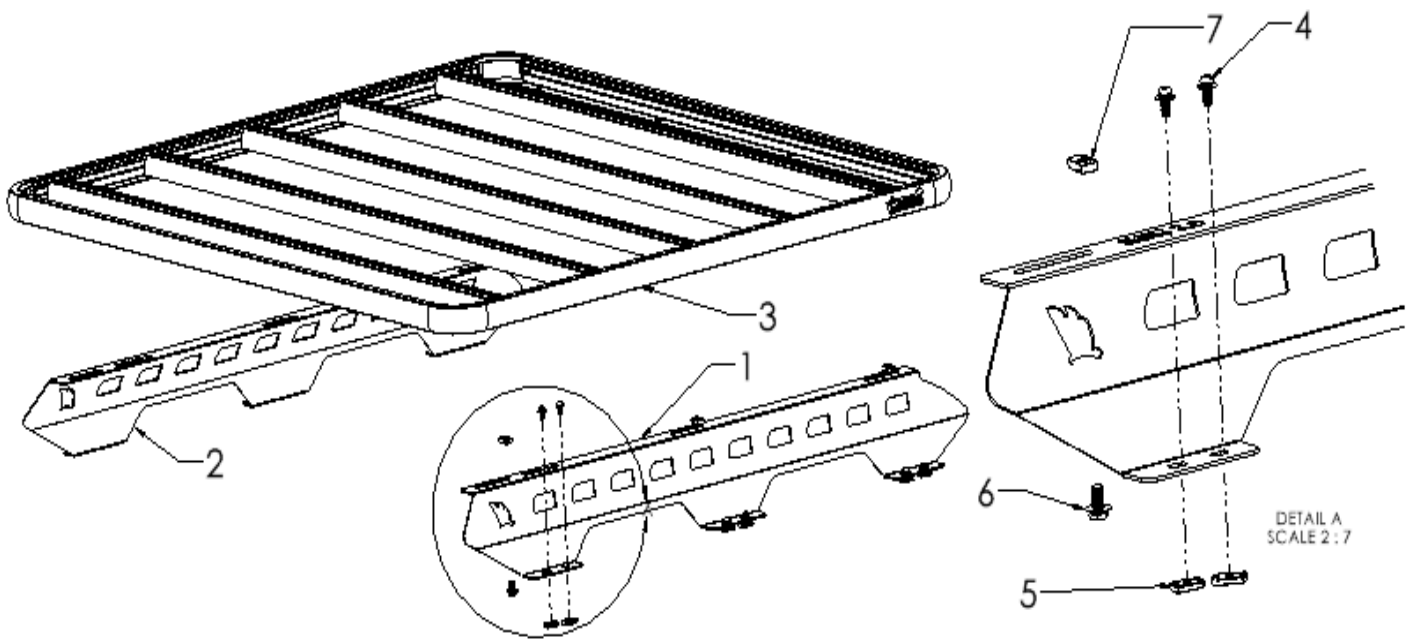
Congratulations on the purchase of your Australian made Wedgetail Roof Rack product.

Please read and follow the instructions carefully to ensure correct fitment.

Contact us if any parts appear missing, incorrect, or damaged.

Tools Required:

- Allen key (6 mm)
- Spanner (17mm)

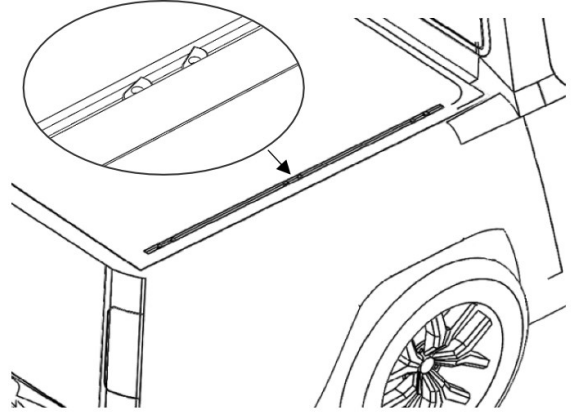


KIT CONTENTS					
ITEM	COMPONENT	QTY	ITEM	COMPONENT	QTY
1	EGR Tub Wedgetail Left Rail	1	5	M8 Channel Nut	12
2	EGR Tub Wedgetail Right Rail	1	6	M10 X 20 Stainless Hex Bolt	6
3	Wedgetail Pre-assemble Platform	1	7	M10 Unistrut	6
4	M8 X 22 Dacro Black	12	8		

Mounting Rails fitment

1

- Place the channel nut into the tub gutter as shown

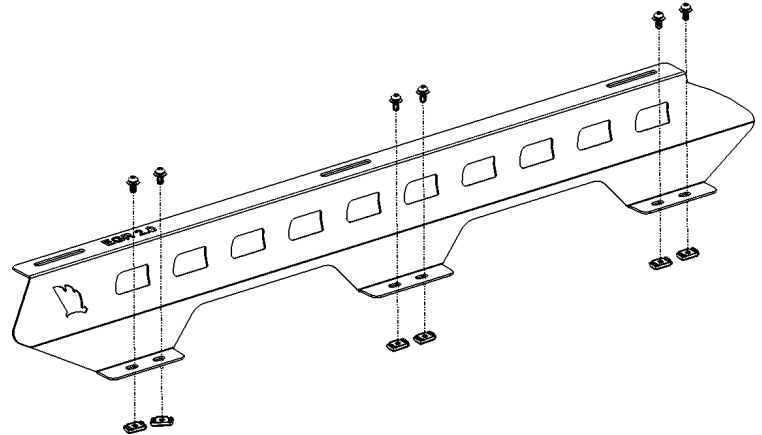


2

- Place the rail on the tub aligning with the channel nuts.

3

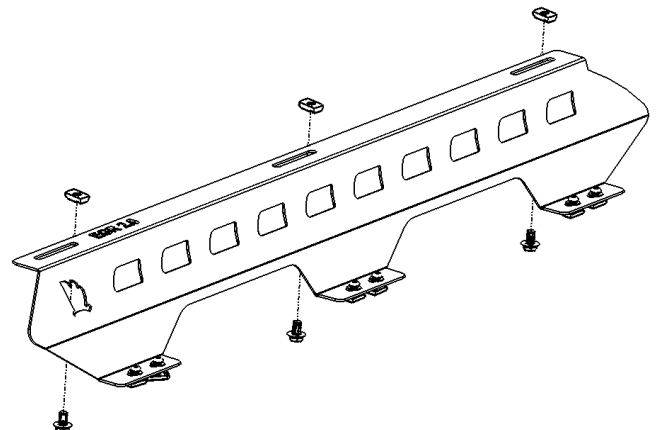
- Fasten using the M8 bolts and washers.



4

- Attach the channel nuts to the top of rail.
- Fit 10mm Bolt / Split washer / Flat washer / Channel Nuts to the top of rail.

* Channel nuts to the top as shown in the following diagram





Assemble the Wedgetail Platform to the rails

5

- Place the Wedgetail Platform on the rails (Wind deflector mounting towards the front of vehicle), then spin the channel nuts 90 degree in the channel on the underside of the rack till they lock into the channels. Do not tighten fully.

6

- Centralize the rack side to side (using a tape measure) on the wedgetail rails.

7

- Fully tighten remaining bolts in the following order:
 1. Rails to the lugs
 2. Rails to platform
 3. Attach wind Deflector.

NOTE-Ensure the channel nuts are 90 degrees to the channels.



Check fastenings are firmly tensioned at regular intervals.

Do not overtighten, this will preserve the spring washers.

Thank you for your purchase.

Please complete your warranty application following correct installation.

Wedgetail by Tradesman Roof Racks

Innovation through Inspiration