



WT-FEX-2013

INSTALLING RAILS TO THE VEHICLE ROOF:

Congratulations on the purchase of your Australia made Wedgetail Roof Rack product, please follow these instructions to ensure correct fitment.

If recess available follow step 1, for no recess fitting jump to step 3.

1. Place lugs from front to rear on 1st, 2nd, 4th and 6th recesses in factory rail.



2. Lugs will sit in the factory recesses as shown. Refer to the diagram.

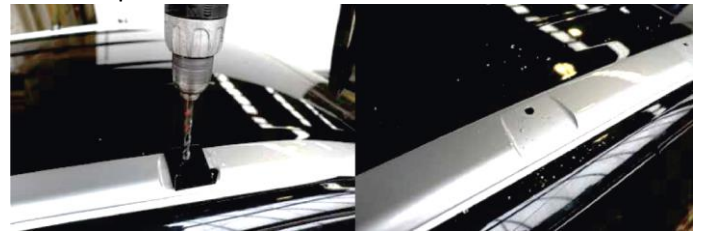


3. If there is no recess, mark the first hole from rear tailgate gap at 190mm.

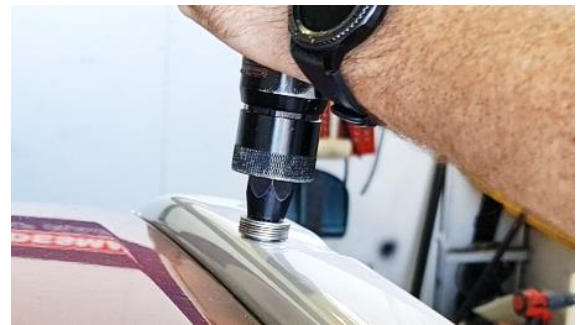
Note: - Other measurements are provided in the image below, double check by placing the rail.



4. Mark each lug point and drill out in steps from 5mm drill bit up to 13.5mm hole to receive nutsert.



5. Clear the drill debris, place nutsert into holes and fix in place. Repeat all lug steps for the other side of the vehicle.



6. Place all 8 lugs onto recesses, put some silicone, and tighten loosely using 10mm hardware.



7. Once lug is in place and finger tight. Drill out opposite side where pop rivet must go.
Note: Hold the lug firmly to make sure that the lug is sitting straight and is not at an angle.
8. Now rivet it in position.





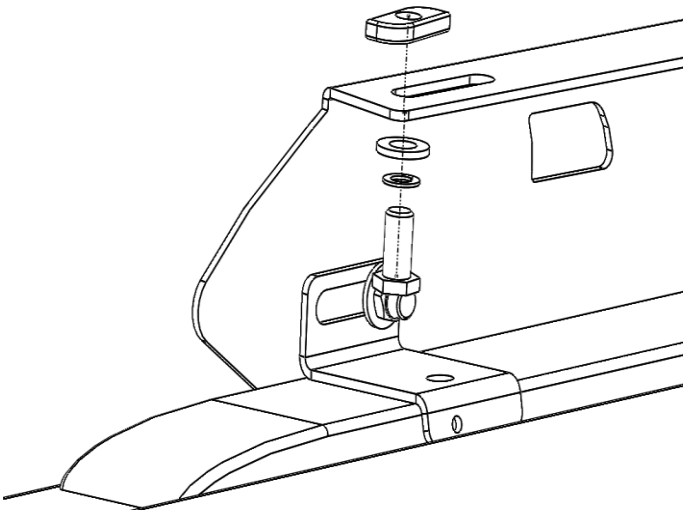
9. Setup rail with rubber channel installed on the bottom of the rail.
10. Place the rail onto the roofline in front of the lugs.



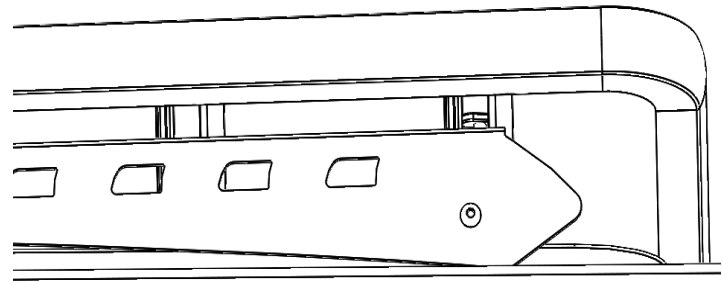
11. Fasten using 10mm nut, bolt and washer provided. Once all the hardware is ready, fasten all and repeat for the other side.

SECURE PLATFORM TO RAIL

12. Fit 10mm Bolt / Split washer/ Flat washer with the channel Nuts on top of rail. (*Channel nuts to the top as shown in the next diagram)



13. Place the Wedgetail Platform on the rails (Wind Deflector mounting towards the front of the vehicle), turn channel nuts 90 degree in the channel on the underside of the rack to lock into the channels. Do not tighten fully.



14. Centralize the rack evenly (using a tape measure).
15. Fully tighten remaining bolts in the following order:
 - a. Rail to the Lug
 - b. Rails to the platform (ensure the channel nuts are 90 degrees to the channel in the platform)
 - c. Install wind deflector using 8mm hardware

Note: Check fastenings are firmly tensioned at regular intervals.
Do not overtighten, this will preserve the spring washers.

Thank you for your purchase.

Please complete your warranty application following correct installation.

**Wedgetail by Tradesman Roof Racks
Innovation through Inspiration**