

# Wedgetail Rails and Platform Fitting Instruction

## To suit Ford Ranger Wildtrak T6.2 2022 - Onward



WT-FRPXW22-1413

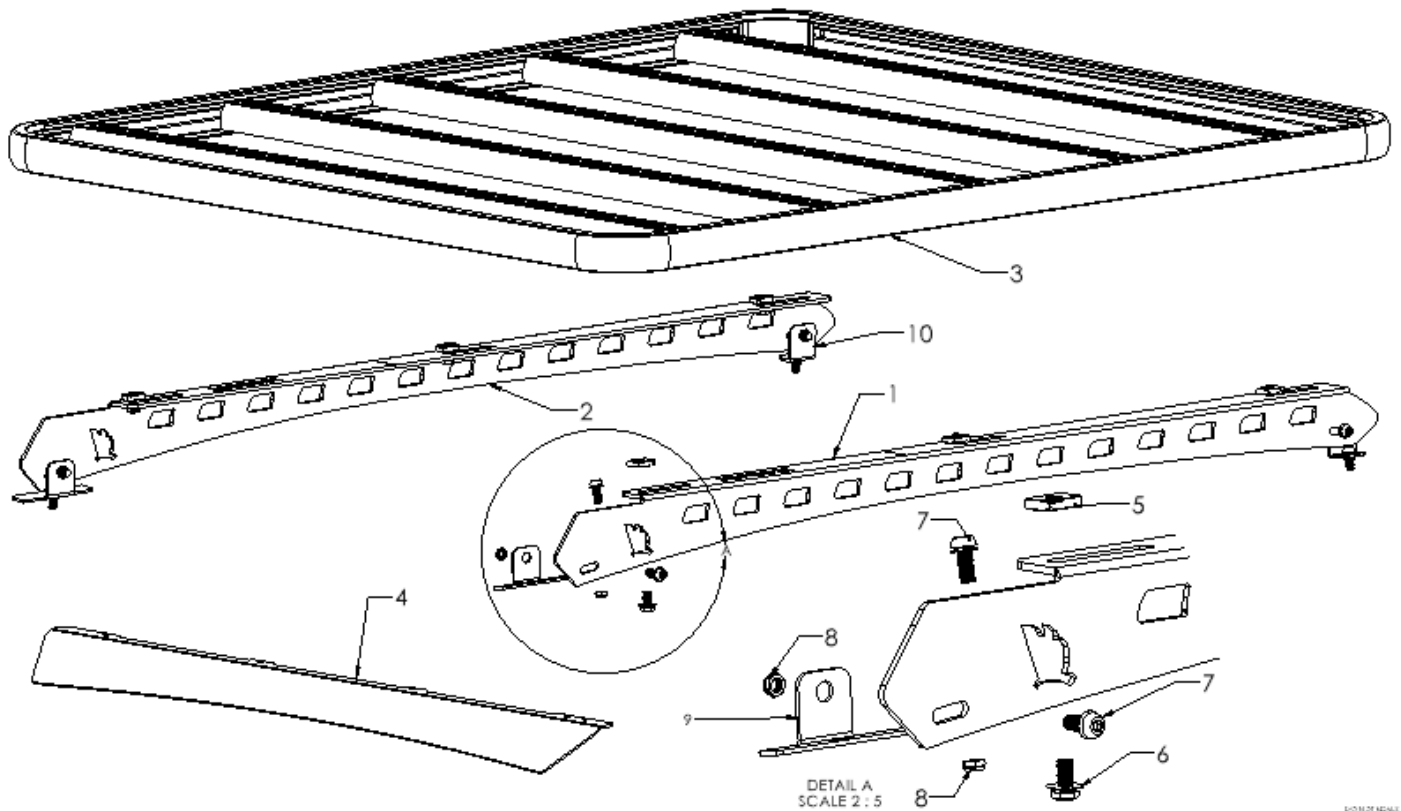
**Congratulations on the purchase of your Australian made Wedgetail Roof Rack product.**

**Please read and follow the instructions carefully to ensure correct fitment.**

**Contact us if any parts appear missing, incorrect, or damaged.**

**Tools Required:**

- Allen key (6 mm)
- Spanner (13mm)
- Trim Remover



| KIT CONTENTS |                                     |     |      |                          |     |
|--------------|-------------------------------------|-----|------|--------------------------|-----|
| ITEM         | COMPONENT                           | QTY | ITEM | COMPONENT                | QTY |
| 1            | Wildtrak 2022 Wedgetail Left Rails  | 1   | 7    | M10 Dacro Sems Dome Head | 8   |
| 2            | Wildtrak 2022 Wedgetail Right Rails | 1   | 8    | 10mm Nyloc Nut           | 8   |
| 3            | Wedgetail Pre-assemble Platform     | 1   | 9    | Wildtrak 2022 Front Lug  | 2   |
| 4            | Wedgetail Wind Deflector & kits     | 1   | 10   | Wildtrak 2022 Rear Lug   | 2   |
| 5            | M10 Unistrut                        | 6   | 11   | 3.5M Strip Gutter Rubber | 1   |
| 6            | M10 X 20 Stainless Hex Bolt         | 6   |      |                          |     |

## Removing Factory rails (If no factory rails, please proceed to Step2 for mounting lugs)

1

- Remove interior parts to allow headlining to come down sufficiently to remove the OEM rail fastening
- Remove the nuts from the underside of the factory roof rails and remove the roof rails to expose the mounting holes.



## Mounting Lug fitment

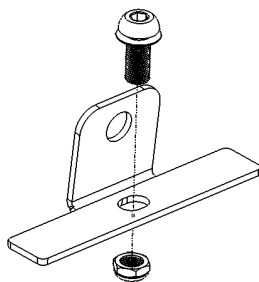
2

- Apply silicone on all the roof channel mounting holes to prevent any water ingress.

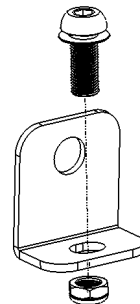
3

- There are 2 types of mounting lug front & Rear
- Place front and rear lugs onto roof and fasten using M10 bolt and nut

### Front Lug (Pre-bend)

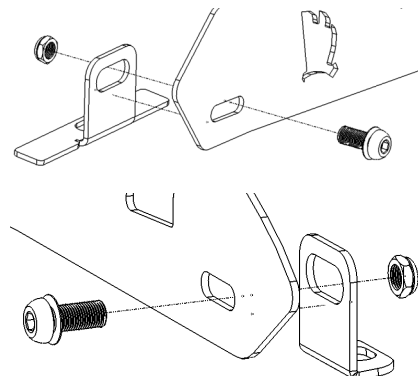


### Rear Lug



4

- Install Rubber C Channel Protection Strip supplied to underside of Wedgetail Rails.  
Place rail into position and install using 10mm hardware. Do not tighten fully.



# Wedgetail Rails and Platform Fitting Instruction

## To suit Ford Ranger Wildtrak T6.2 2022 - Onward

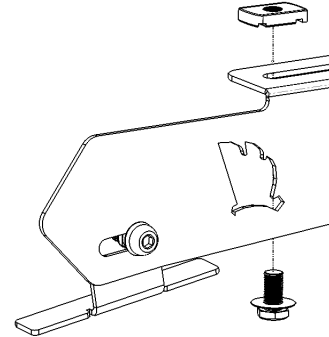


WT-FRPXW22-1413

5

- Attach the channel nuts to the top of rail.
  - Fit 10mm Bolt / Split washer/ Flat washer / Channel Nuts to the top of rail.

\* Channel nuts to the top as shown in the following diagram



### Assemble the Wedgetail Platform to the rails

6

- Place the Wedgetail Platform on the rails (Wind deflector mounting towards the front of vehicle), then spin the channel nuts 90 degree in the channel on the underside of the rack till they lock into the channels. Do not tighten fully.

7

- Centralize the rack side to side (using a tape measure) on the wedgetail rails.

8

- Fully tighten remaining bolts in the following order:
  1. Rails to the lugs
  2. Rails to platform
  3. Attach wind Deflector.

**NOTE**-Ensure the channel nuts are 90 degrees to the channels.



Check fastenings are firmly tensioned at regular intervals.

Do not overtighten, this will preserve the spring washers.

Thank you for your purchase.

Please complete your warranty application following correct installation.

Wedgetail by Tradesman Roof Racks

Innovation through Inspiration