



WT-GCAN-1413

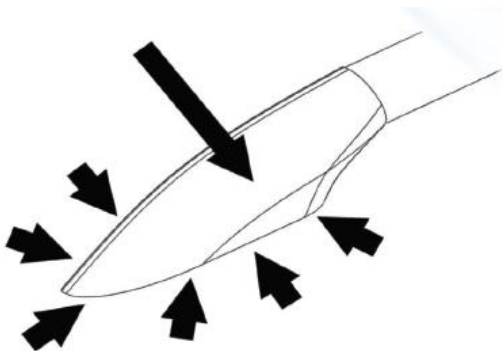
## GWM Canon (Factory Rail only) Wedgetail Fitting

### INSTALLING RAILS AND ROOF RACK:

**Congratulations on the purchase of your Australian made Wedgetail Roof Rack product, please follow these instructions to ensure correct fitment.**

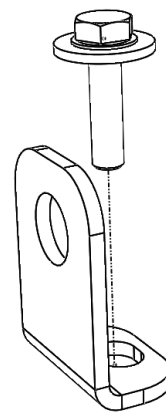
#### Factory Rails Removal

1. Remove front and rear plastic end caps from factory rails by pushing down from above and pulling outer edge away from base.

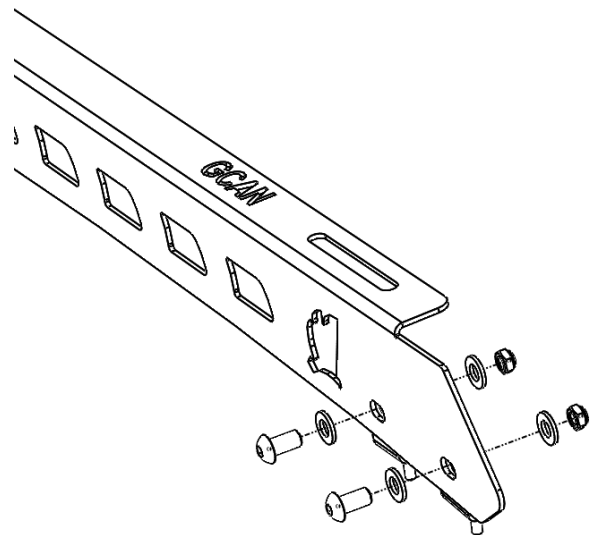


2. Using a flat head screw driver place in the joint between the plastic cap and backing plate. Pull cover outwards until clips let go.
3. Undo mounting bolts (WARNING, LOOSEN ALL BOLTS FIRST THEN REMOVE, DO NOT LOOSEN AND REMOVE ONE BOLT AT A TIME AS THIS MAY CAUSE THE RETAINING PLATES TO DROP INSIDE THE ROOF LINING). Lift rails off and discard, leaving the rubber channel strips in place.

4. Apply silicone or urethane sealer (natural cure sealants only) in and around the 8 exposed factory roof holes. Fit 8 rail mounting lugs using 6mm hardware (as per diagram below).



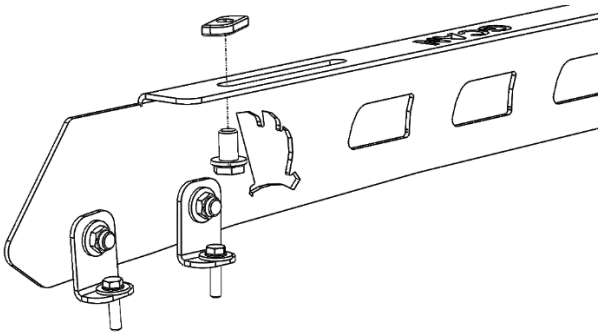
5. Attach rails to the lugs using 10mm hardware (as per diagram below). Do not fully tighten.



6. Tighten the lug to the roof only, DO NOT tighten the rail to the lug yet!
7. Fit 10mm Bolt / Split washer / Flat washer with the channel Nuts on top of rail.  
*\*Channel nuts to the top as shown in the diagram below*



WT-GCAN-1413



8. Place the Wedgetail Platform on the rails (Wind deflector mounting towards the front of vehicle), then rotate the channel nuts 90 degree in the channel on the underside of the rack till they lock into the channels. Do not tighten fully.
9. Fully tighten remaining bolts in the following order:
  - a. Rail to lug
  - b. Platform to rails
    - \* *Ensure the channel nuts are 90 degrees to the channels in the platform.*
  - c. Install Wind deflector using 8mm hardware

**Check fastenings are firmly tensioned at regular intervals**

**Do not overtighten to preserve spring washers.**

**Thank you for your purchase.**

**Please complete your warranty application following correct installation**

**Wedgetail by Tradesman Roof Racks**

***Innovation through Inspiration***