



WT-IMUX210N-2212

Isuzu MUX 2021 On

INSTALLING RAILS AND ROOF RACK:

Congratulations on the purchase of your quality Australian made Wedgetail Roof Rack product, please follow these instructions to ensure a safe and correct fitment.

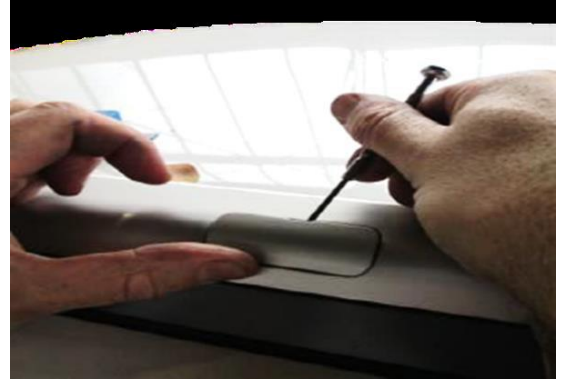
1. Raise Front Plate with a small flat head screwdriver at the joining.



2. Remove the external plastic retainer clips from the roof rail using a trim remover as shown in the image below. Follow the same step for others as well.



3. Remove small cover plates and remove torx bolts.



4. Remove all the visible bolts, brackets, and rails from the roof.



5. Apply silicone on all the roof channel mounting holes to prevent any water ingress.
6. Bolt 6 lugs per side to all facing points with bracket facing outwards.



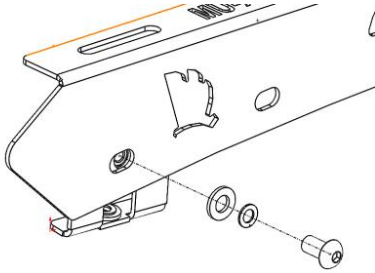
7. Fit rails to the lug using 10mm hardware (wedgetail logo facing to the front of vehicle)



WT-IMUX210N-2212

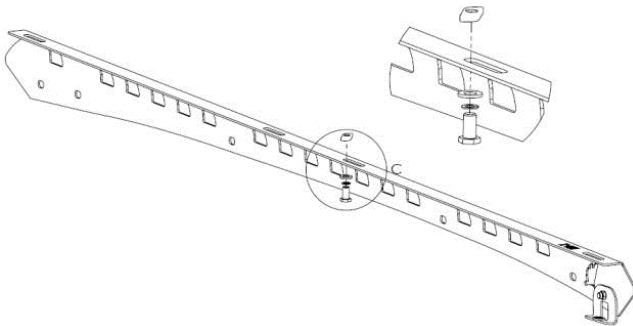
Please complete your warranty application following correct installation

Wedgetail by Tradesman Roof Racks
Innovation through Inspiration



8. Fit the 10mm hardware on top of the rail using M10 bolt, washer and channel nut provided.

*Channel nuts to the top as shown in the diagram below



9. Place the Wedgetail Platform on the rails (Wind deflector mounting towards the front of vehicle), then rotate the channel nuts 90 degree in the channel on the underside of the platform until they lock into the channels. Do not tighten fully.

10. Centralize the rack side to side (using a tape measure).

11. Fully tighten remaining bolts in the following order:

- a. Rail to lug
- b. Platform, to rails

*Ensure the channel nuts are 90 degree to the channels in the platform.

- c. Install wind deflector using 8mm hardware

Note: Check fastenings are firmly tensioned at regular intervals.

Do not overtighten, this will preserve the spring washers.

Thank you for your purchase