



ISUZU MUX

INSTALLING RAILS AND ROOF RACK:

Congratulations on the purchase of your Australia made Wedgetail Roof Rack product, please follow these instructions to ensure correct fitment.

If no factory rails, please proceed to step 9

Factory Rails Removal

1. Raise Front Plate with a small flat head screwdriver at the joining.



2. Insert Trim Remover under the raised cover.



3. Use the second Trim Remover, Slide under the opening towards front.



4. Reposition first blade tool as per the picture below.



5. Pull Cover towards outside of vehicle and lift front up.



6. Repeat the same sequence on the rear cover plate.



Without Factory Rails:

If there are no factory rails, you can find the threads if you drill the following points.

From front Windscreen,

1. 255mm
2. 370mm
3. 800mm

From Rear Roof edge

4. 842mm
5. 340mm
6. 220mm

7. Remove small cover plates and remove torx Bolts.



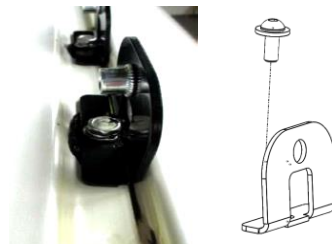
8. Remove all visible bolts, brackets, and rails from the roof.



9. Apply sealer to all visible holes.

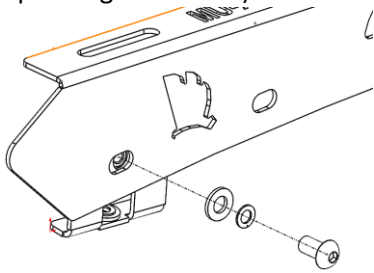


10. Bolt 6 lugs per side to all facing points with bracket facing outwards.





11. Attach rails to the lugs using 10mm hardware (as per diagram below).

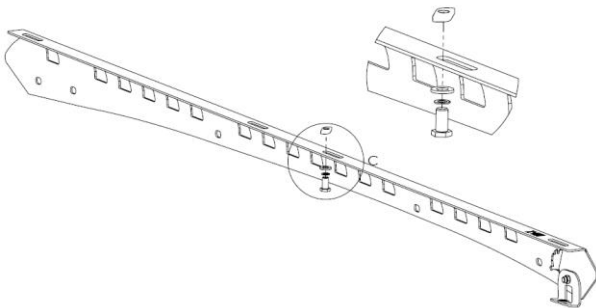


Thank you for your purchase.

Please complete your warranty application following correct installation.

12. Fit 10mm Bolt / Split washer/ Flat washer with the channel Nuts on top of rail.

*Channel nuts to the top as shown in the diagram below



13. Place the Wedgetail Platform on the rails (Wind deflector mounting towards the front of vehicle), then spin the channel nuts 90 degree in the channel on the underside of the rack till they lock into the channels. Do not tighten fully.

14. Fully tighten remaining bolts in the following order:

- a. Rail to lug
- b. Platform to rails * *Ensure the channel nuts are 90 degree to the channels in the platform.*
- c. Install Wind deflector using 8mm hardware