



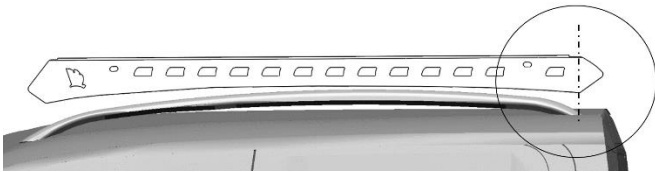
## Fitting Instruction for LDV T60

WT-LT60-1412

### INSTALLING RAILS AND ROOF RACK:

Congratulations on the purchase of your quality Australian made Wedgetail Roof Rack product, please follow these instructions to ensure a safe and correct fitment.

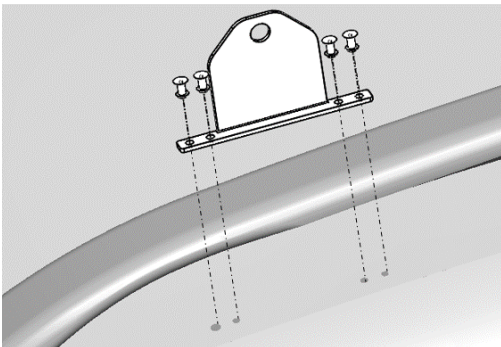
1. Place the rail on the roof aligning the rear bottom tip of the rail to in line with the end of the OEM rail as shown below.



2. Place Mounting Lugs on vehicle roof to correspond with Wedgetail rail mounting holes. Drill all 4 rivet holes in each lug using a 5mm drill with drill stop, drilling one at a time then placing a rivet through the first hole to maintain alignment (DO NOT RIVET IN PLACE YET).

⚠ Apply silicone or urethane sealer (natural cure sealants only) to seal rivet holes.

3. Attach the lugs to the roof using 5mm rivets.

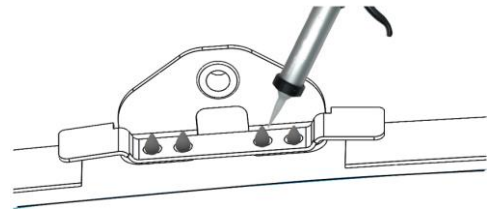


⚠ Apply silicone or urethane sealer (natural cure sealants only)

This fitment uses Structural Non-Sealed rivets for strengthening reasons

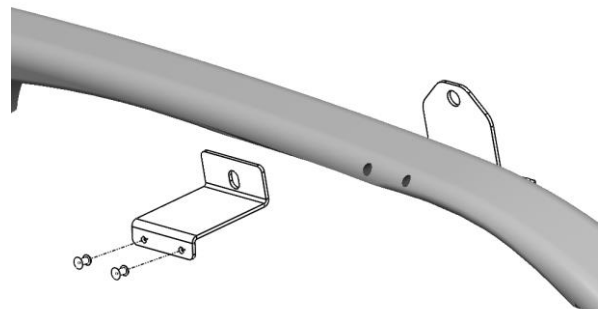


**Silicon must be applied to the top of the rivet to prevent water ingress.**



\*Image can be different from the actual lugs and cover plates provided.

4. Align the secondary lug provided to the mounting holes of the lug already riveted as shown in the image and drill the OEM side rail from the back and rivet it. See image below. Repeat for each mounting lug.

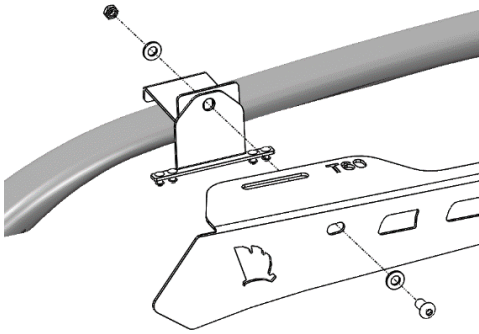


5. Attach Rails to lugs using 10mm hardware with the wedgetail logo facing to the front of the vehicle. See image below.



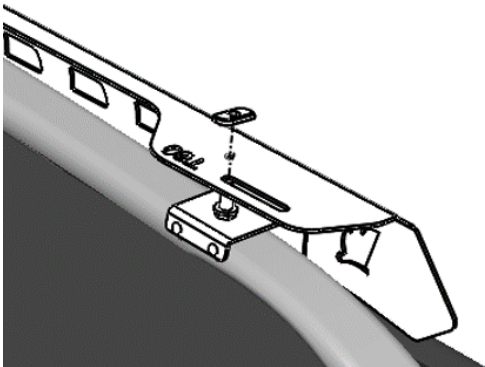
## Fitting Instruction for LDV T60

WT-LT60-1412



6. Now assemble 10mm Bolt / Split washer/ Flat washer and channel nuts on top of rail to secure platform.

\*Channel nuts to the top as shown in the next diagram



7. Place the Wedgetail Platform on the rails (Wind deflector mounting towards the front of vehicle), then spin the channel nuts 90 degree in the channel on the underside of the rack till they lock into the channels. Do not tighten fully.
8. Fully tighten remaining bolts in the following order:
  - a. Rail to lug
  - b. Platform to rails
  - c. Install Wind deflector using 8mm hardware

**Thank you for your purchase.**

**Please complete your warranty application following correct installation**

**Wedgetail by Tradesman Roof Racks**

*Innovation through Inspiration*