



WT-RD110-2013

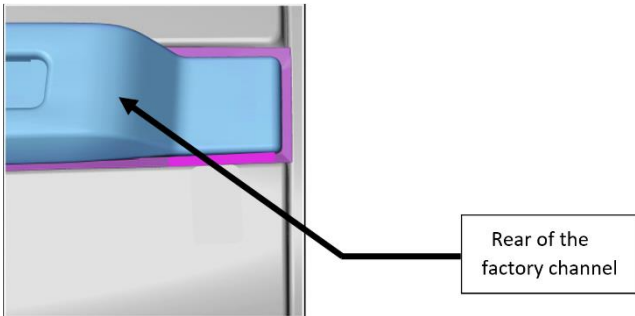
Land Rover Defender 110

INSTALLING RAILS AND ROOF RACK:

Congratulations on the purchase of your quality Australian made Wedgetail Roof Rack product, please follow these instructions to ensure a safe and correct fitment.

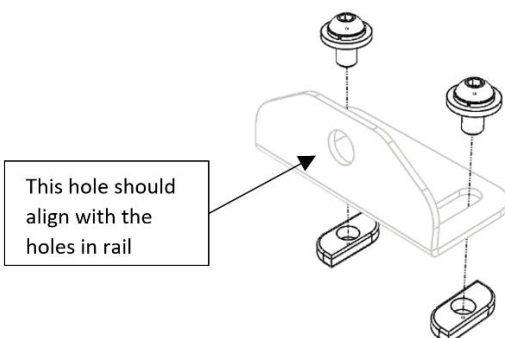
The photos below indicate where the mountings are to be positioned.

Rear tip of the wedgetail rail must be aligned with the rear curve on the factory roof channel. Refer to the diagram below.

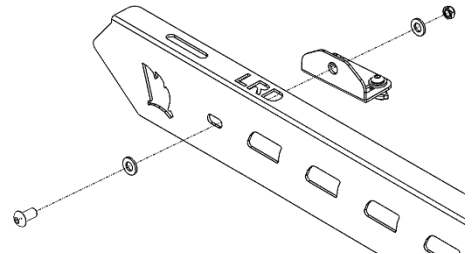


Mounting Lug Fitments

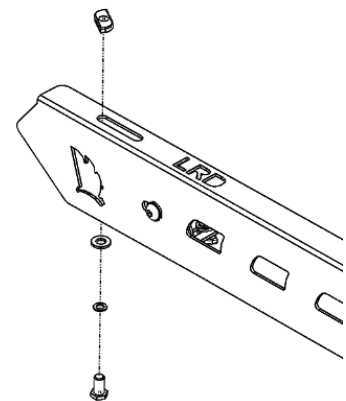
1. Place mounting lug on the roof channel aligning with the mounting holes in the Wedgetail rail.
2. Fasten the lugs to the roof using M8 Bolt and washer and M8 channel nut provided.



3. Repeat the same for other side.
4. Place the rubber channel protection strip on the bottom of the Wedgetail rail.
5. Attach Rails to lugs using 10mm hardware with the wedgetail logo facing to the front of the vehicle. Refer to the picture.



6. To secure rail to platform fit 10mm Bolt / Split washer / Flat washer with the Channel nuts on top of rail.
**Channel nuts to the top as shown in the next diagram*



7. Place the Wedgetail Platform on the rails (Wind deflector mounting towards the front of vehicle), then rotate the channel nuts 90 degree in the channel on the underside of the platform until they lock into the channels. Do not tighten fully.
8. Centralize the rack side to side (using a tape measure).



WT-RD110-2013

9. Fully tighten remaining bolts in the following order:
 - a) Rail to the Lug
 - b) Rails to Platform
 - * ensure the channel nuts are 90 degree to the channels in the platform
 - c) Install wind deflector using 8mm hardware

Note: Check fastenings are firmly tensioned at regular intervals.

Do not overtighten, this will preserve the spring washers.

Thank you for your purchase

Please complete your warranty application following correct installation

Wedgetail by Tradesman Roof Racks

Innovation through Inspiration