



WT-RD110-2013

**Land Rover Defender 110
Standard Roof** (Without Factory
Rails)

INSTALLING RAILS AND ROOF RACK:

Congratulations on the purchase of your quality Australian made Wedgetail Roof Rack product, please follow these instructions to ensure a safe and correct fitment.

1. Remove the rubber grommets from the roof channel plastic strips to expose bolts.
▲ *Loosen OEM Fasteners with care to avoid breaking OEM thread in vehicle roof.*



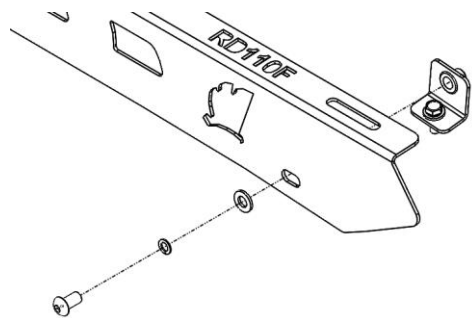
2. Remove bolts using T30 torx driver and then remove plastic channel.
3. Now choose second hole (from the rear) as shown (align wedgetail rail from this point to front of vehicle to locate fixings to be used for lug to rail mountings).



4. Mount lugs to roof with M8 fasteners provided
▲ *Ensure silicon or similar sealant is used to prevent water ingress.
Take care not to overtighten and damage OEM threads.*

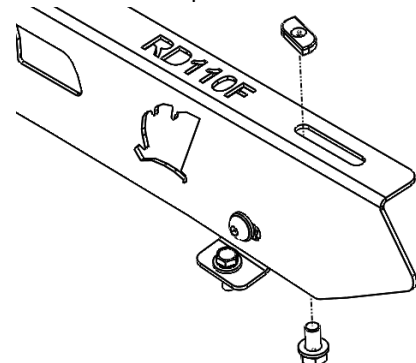


5. Fasten the rail to the lugs using M10 bolts, spring washers and flat washers as shown.



6. Fit 10mm Bolt / Split washer/ Flat washer with the channel Nuts on top of rail.

*Channel nuts to the top as shown below



7. Place the Wedgetail Platform on the rails (Wind deflector mounting towards the front of vehicle), then rotate the channel nuts 90 degree in the channel on the underside of the rack till they lock into the channels. Do not tighten fully.
8. Centralize the rack side to side (using a tape measure) on the wedgetail rails.



WT-RD110-2013

9. Fully tighten remaining bolts in the following order:

- a) Rail to the Lug
- b) Rails to Platform

▲ *Ensure the channel nuts are 90 degrees to the channels in the platform*

- c) Install wind deflector using 8mm hardware

Note: Check fastenings are firmly tensioned at regular intervals.

Do not overtighten, this will preserve the spring washers.

Thank you for your purchase.

Please complete your warranty application following correct installation

Wedgetail by Tradesman Roof Racks

Innovation through Inspiration