



Mitsubishi Pajero Sport

INSTALLING RAILS AND ROOF RACK:

Congratulations on the purchase of your Australian made Wedgetail Roof Rack product, please follow these instructions to ensure correct fitment:

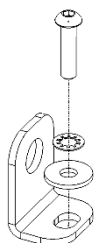
1. Start by removing end caps on factory rail.



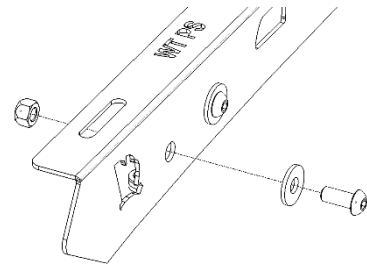
2. Slide a plastic J hook underneath outside edge of end cap and lever open.
3. Using 10mm spanner or socket loosen and remove all 10mm hardware holding down the factory rail.
4. There are three at either end and one in the middle hidden by plastic cover plate, so seven in total.



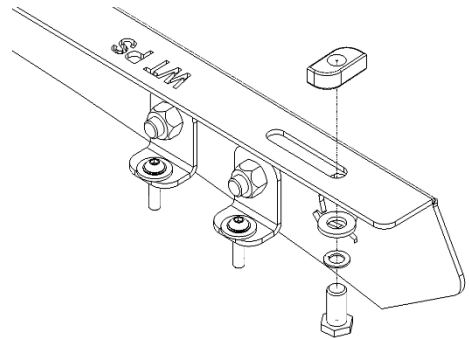
5. Repeat steps for opposite side.
6. Install all Ten lugs into factory roof settings using 6mm hardware, Spring Washer and Flat washer.
Do not fully tighten to allow movement to aid in alignment of main large rail.



7. Place rail into position and install using 10mm hardware. Do not tighten fully.



8. Using all Six Unistrut hardware, set up rail for roof rack. Three Unistrut sets per side.



9. Place the Wedgetail Platform on the rails (Wind deflector mounting towards the front of vehicle), then spin the channel nuts 90 degree in the channel on the underside of the rack till they lock into the channels. Do not tighten fully.
10. Tighten all Six Unistrut.
11. Install Wind Deflector.
12. Fully tighten remaining bolts in the following order:
 - a. Rail to lug
 - b. Platform to rails
 - c. Attach Wind Deflector

*** Ensure the channel nuts are 90 degree to the channels in the platform**

Thank you for your purchase.

Please complete your warranty application following correct installation

Wedgetail by Tradesman Roof Racks

Innovation through Inspiration