



## Mitsubishi Triton Wedgetail Fitting

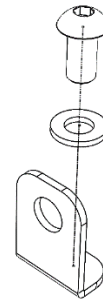
### INSTALLING RAILS AND ROOF RACK:

**Congratulations on the purchase of your quality Australian made Wedgetail Roof Rack product, please follow these instructions to ensure safe and correct fitment.**

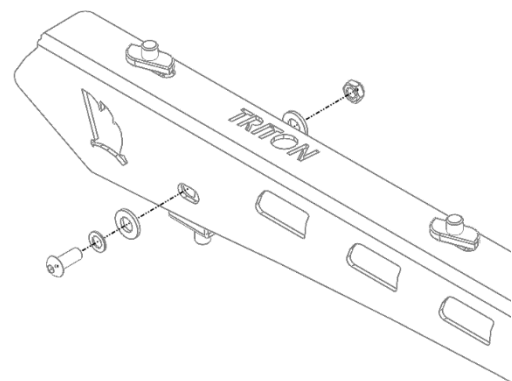
#### Mounting Lug Installation

1. Starting at the front of the vehicle remove the rubber mould that sits inside the roof channel.
2. Mark the point on the rubber mould, in line with the nut in the roof rack mounting plate.
3. Place the lug at the centre of the marked rubber and mark the rubber on the left and right side to allowing 3 mm of space for the mounting lug to fit
4. Cut the rubber on the lines marked in step 3. Push the rubber mould back in position and double check clearance for the lug installation. This is to be repeated for all the other mounting positions.

5. Mount all the Lugs as shown, in the holes using 8mm hardware (Bolt / Star washer / Flat washer / Lug). Making sure to line up the front and rear lug with each other, then tighten.



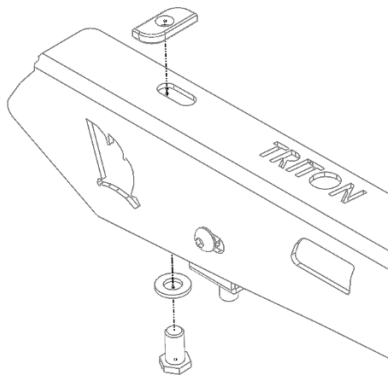
6. Attach Rails to lugs using 10mm hardware with the wedgetail logo facing to the front of the vehicle. Refer to the diagram (do not tighten fully)



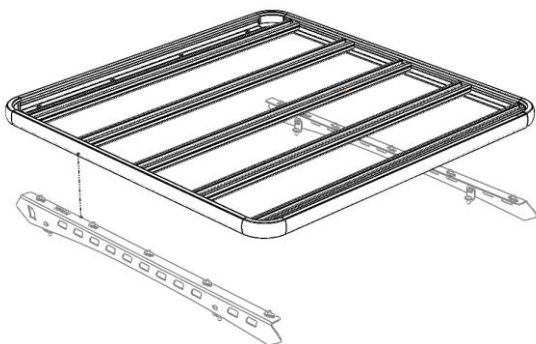


7. Fit 10mm Bolt / Split washer/ Flat washer / Channel Nuts to the top of rail.

*\*Channel nuts to the top as shown in the next diagram*



8. Place the Wedgetail Platform on the rails (Wind deflector mounting towards the front of vehicle), then spin the channel nuts 90 degree in the channel on the underside of the rack till they lock into the channels. Do not tighten fully
9. Centralize the rack side to side (using a tape measure) on the wedgetail rails.
10. Fully tighten remaining bolts in the following order:



- a) Rail to the Lug
- b) Rails to Platform

\* ensure the channel nuts are 90 degree to the channels

- c) Attach wind deflector

**Check fastenings are firmly tensioned at regular intervals**

**Do not overtighten, this will preserve the spring washers.**

**Thank you for your purchase**

**Please complete your warranty application following correct installation**

**Wedgetail By Tradesman Roof Racks**

**Innovation through Inspiration**