

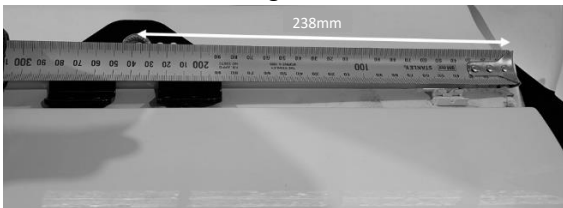


Fitting Instructions **Toyota Fortuner**

INSTALLING RAILS AND ROOF RACK:

Congratulations on the purchase of your quality Australian made Wedgetail Roof Rack product, please follow these instructions to ensure a safe and correct fitment.

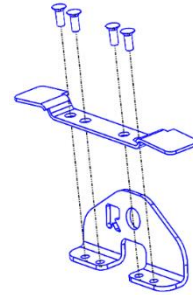
1. Pictures below indicate where the mountings are to be positioned and the roof channel rubber should be cut to allow the Wedgetail Rail mounting lugs to be riveted within the roof channel.
2. Lift the rubber from the gutter by pulling it up from the rear of the car.
3. From the rear place the centre of the lug at 238mm. Refer to the diagram.



4. Mark the 4 rivet holes in the lug and then place the rail on the top and align the rear rail mounting point to the centre of this lug. Then mark the middle and front two mounting points.
5. Place the other two lugs according to the marked holes. Drill the 12 rivet holes using a 5mm drill with drill stop, drill one at a time then placing a rivet through hole to keep lined up (DO NOT RIVET IN PLACE YET).
6. Apply silicon or urethane sealer (natural cure sealants only) to the 5mm drilled rivet holes. Repeat the same for the other side as well.

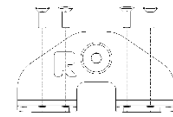
Method 1: With Cover plates follow step 8 and 9 and jump to step 12

7. Cut the rubber from the gutter marking the length of the lug.
8. Attach the lugs and cover plates to the roof of the vehicle using 5mm rivets as shown.



Method 2: Without Cover plates follow step 10 and 11

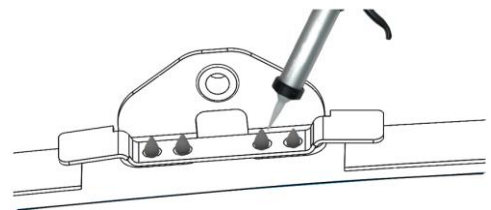
9. Attach the lugs to the roof of the vehicle using 5mm rivets as shown.



This fitment uses Structural Non-Sealed rivets for strengthening reasons



Silicon must be applied to the top of the rivet to prevent water ingress.

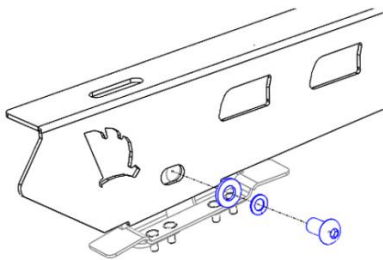


*Image can be different from the actual lugs and cover plates provided.

10. Now place the rubber on the top of all the lugs and trim it from the edge and bottom with a knife so that the rubber can sit properly in the gutter. Refer to the diagram.

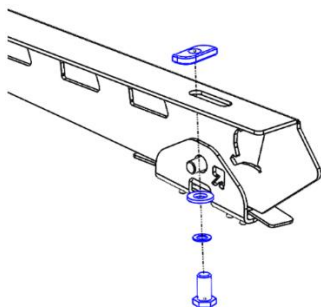


11. Attach rails to the lug using 10mm hardware with the Wedgetail Logo facing to the front of the vehicle. Refer to the picture.



12. Fit 10mm Bolt / Split washer/ Flat washer with the channel Nuts on top of rail.

*Channel nuts to the top as shown in the next diagram



13. Place the Wedgetail Platform on the rails (Wind deflector mounting towards the front of vehicle), then spin the channel nuts 90 degree in the channel on the underside of the rack till they lock into the channels. Do not tighten fully.
14. Centralize the rack side to side (using a tape measure) on the wedgetail rails.
15. Fully tighten remaining bolts in the following order:
 - a) Rail to the Lug
 - b) Rails to Platform
 - * ensure the channel nuts are 90 degree to the channels in the platform
 - c) Install wind deflector using 8mm hardware

Note: Check fastenings are firmly tensioned at regular intervals.

Do not overtighten, this will preserve the spring washers.

Thank you for your purchase.

Please complete your warranty application following correct installation

Wedgetail by Tradesman Roof Racks

Innovation through Inspiration