

Toyota HiAce SLWB 2019- Current Fitting Instructions



WT-THSL19-3015

Congratulations on the purchase of your Australian made Wedgetail Roof Rack product, please follow these instructions to ensure correct fitment.

STEP 1:

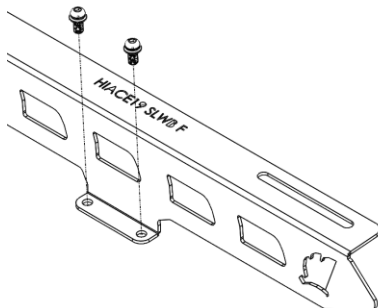
Remove the factory roof lug bolts using 10mm socket, removing factory lugs.

STEP 2:

Applying a small amount of silicone sealant for each hole (Neutral Cure non-corrosive silicone/ sealant)

Step 3:

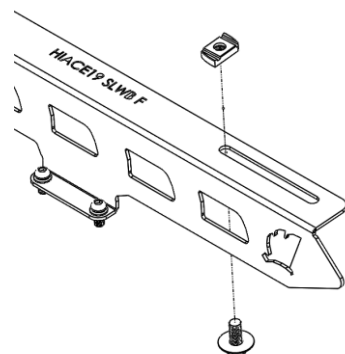
Attach rails to factory holes using 8mm hardware with the wedgetail logo facing to the front of the vehicle. Refer to the diagram (Do not tighten fully).



Step 4:

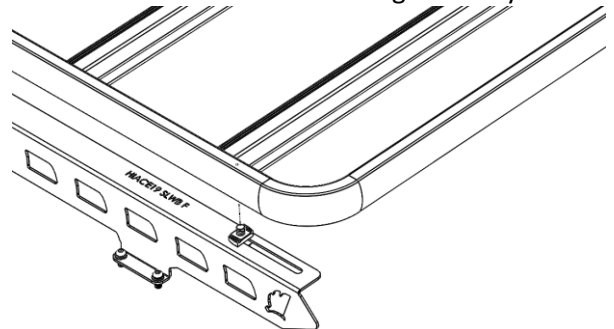
Fit 10mm Bolts / Split washers/ Flat washers / Channel Nuts to the top of rail.

**Channel nuts to the top as shown in the next diagram*



STEP 5:

Place the Wedgetail Platform on the rails (Wind deflector mounting toward the front of the vehicle), then spin the channel nuts 90 degree in the channel on the underside of the rack till they lock into the channels. Do not tighten fully.



STEP 6:

Using a tape measure centralize the platform in relation to the wedgetail mounting rails.

STEP 7:

Fully tighten remaining bolts in the following order:

1. Rail to lug
2. Platform to rails

*** Ensure the channel nuts are 90 degrees to the channels in the platform**

3. Attach Wind Deflector

Check fastenings are firmly tensioned at regular intervals

Do not overtighten, this will preserve the spring washers.

Thank you for your purchase.

Please complete your warranty application following correct installation.

Wedgetail by Tradesman Roof Racks

Innovation through Inspiration