

Wedgetail Rails and Platform Fitting Instruction

To suit Toyota Hilux AN120 Dual Cab 2016—On



WT-THDC16-1412

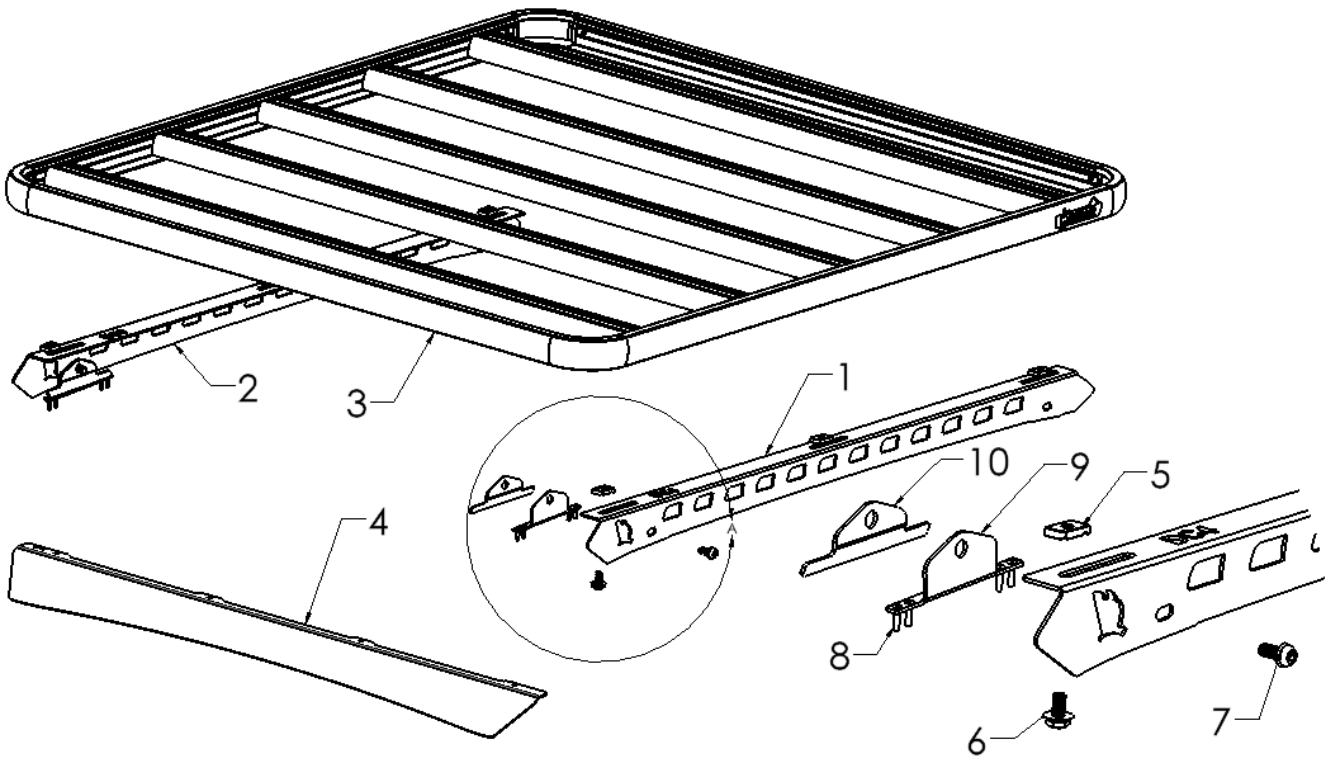
Congratulations on the purchase of your Australian made Wedgetail Roof Rack product.

Please read and follow the instructions carefully to ensure correct fitment.

Contact us if any parts appear missing, incorrect, or damaged.

Tools Required:

- Allen key (6 mm)
- Spanner (17mm)
- Drill bit (5mm)
- Marker



KIT CONTENTS

ITEM	COMPONENT	QTY	ITEM	COMPONENT	QTY
1	WTR-DC4 Wedgetail Left Rails	1	7	M10 Dacro Sems Dome Head	4
2	WTR-DC4 Wedgetail Right Rails	1	8	16 mm Rivets	16
3	Wedgetail Pre-assemble Platform	1	9	Hilux 15 O/N Lug	4
4	Wedgetail Wind Deflector & kits	1	10	Hilux Lug supporting Plate	4
5	M10 Unistrut	6			
6	M10 X 20 Stainless Hex Bolt	6			

Locating the mounting position

1

- Position your Wedgetail rails in the preferred position on the roof taking into consideration vehicle aerial and desired position for light bar or wind deflector clearance as shown. Ideally take the rails lug mounting hole centre to 335mm from the Wind Screen. Mark the rail mounting holes with a marker.



*You should ensure the cut sections correspond with the 2 centre mounting holes in the Wedgetail rail prior cutting the channel rubber

2

- Remove Roof Channel rubber with care or cut either side of where you wish to mount the mounting lugs
- Put the lug into the gutter matching the centre if the lug to the marked points.



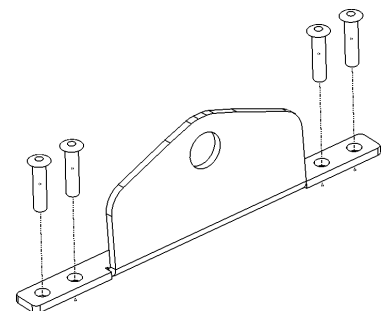
When drilling rivet mounting holes ensure you use a Drill stop on your drill to ensure headlining, wiring or curtain airbags are not damaged.

3

- Paint all holes using either an enamel or acrylic paint (to apply you can use a cotton bud if paint brush is not available).
- Apply silicone or urethane sealer (natural cure sealants only) under the whole lug and to the 5mm drilled rivet holes.
- Attach lugs to the roof of vehicle using 5mm rivets and as shown.



Ensure the centre of the rivet is covered with the silicone to prevent water ingress



Wedgetail Rails and Platform Fitting Instruction

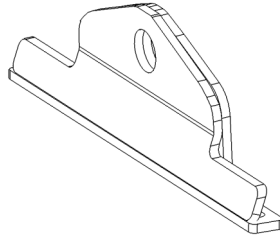
To suit Toyota Hilux AN120 Dual Cab 2016—On



WT-THDC16-1412

4

- Place the supporting plate at the position of the lug as shown for strengthening reason.

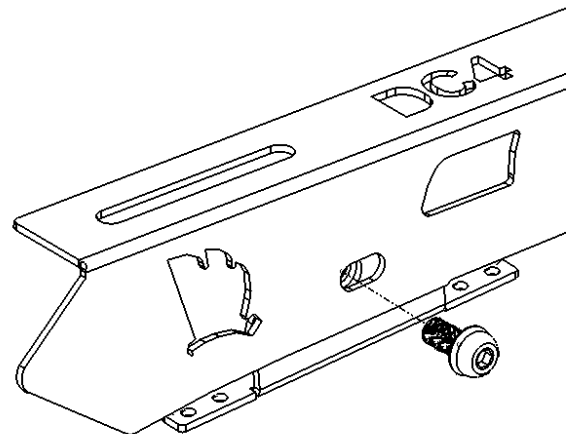


5

- Repeat Step 2-4 again for the other side of vehicle
- Clean the roof and rubber of any dirt / loose rubber pieces from cutting and drilling

6

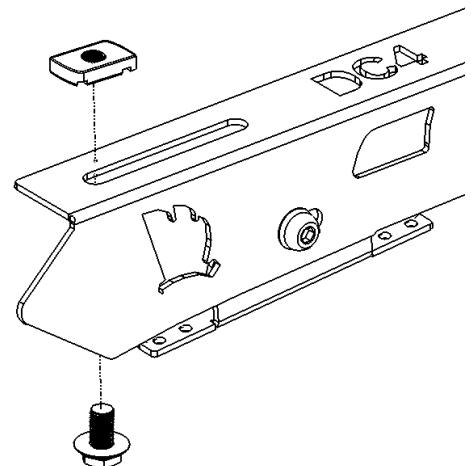
- Attach Rails to lugs and supporting plate using 10mm hardware with the wedgetail logo facing to the front of the vehicle. Refer to the picture.



7

- Attach the channel nuts to the top of rail.
- Fit 10mm Bolt / Split washer / Flat washer / Channel Nuts to the top of rail.

* Channel nuts to the top as shown in the following diagram





Assemble the Wedgetail Platform to the rails

8

- Place the Wedgetail Platform on the rails (Wind deflector mounting towards the front of vehicle), then spin the channel nuts 90 degree in the channel on the underside of the rack till they lock into the channels. Do not tighten fully.

9

- Centralize the rack side to side (using a tape measure) on the wedgetail rails.

10

- Fully tighten remaining bolts in the following order:
 1. Rails to the lugs
 2. Rails to platform
 3. Attach wind Deflector.

NOTE-Ensure the channel nuts are 90 degrees to the channels.



Check fastenings are firmly tensioned at regular intervals.

Do not overtighten, this will preserve the spring washers.

Thank you for your purchase.

Please complete your warranty application following correct installation.

Wedgetail by Tradesman Roof Racks

Innovation through Inspiration