

# Toyota Kluger 2022 Fitting Instructions



WT-TKL22-1813

**Congratulations on the purchase of your Australian made Wedgetail Roof Rack product, please follow these instructions to ensure correct fitment.**

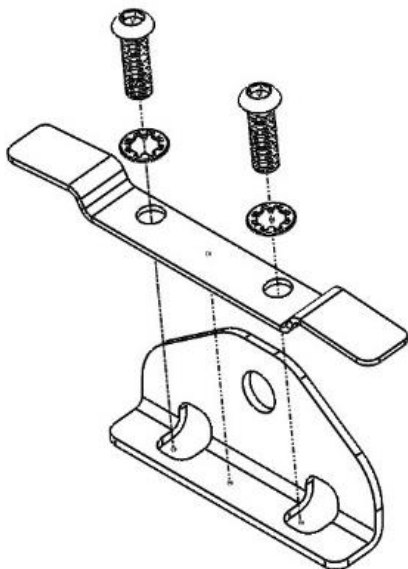
**STEP 1:**

Remove 4x plastic cover strips, 2 down each side in the roof channels, using a small screwdriver pry up from the front of each plate and lifting. Then remove all M8 bolts in roof. Discard all hardware removed.

**STEP 2:**

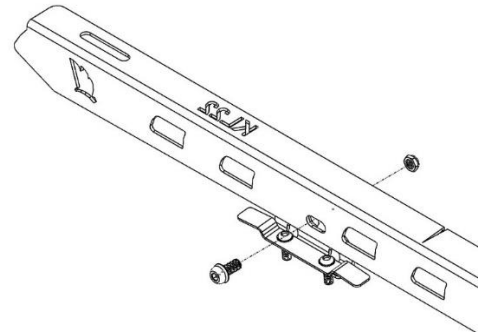
Now fasten Wedgetail mounting lug & cover plates (Use M8 Bolts & Washers & Nyloc Nut provided)

Please use sealant under lugs and around the fasteners (Neutral Cure non-corrosive silicone/ sealant)



**Step 3:**

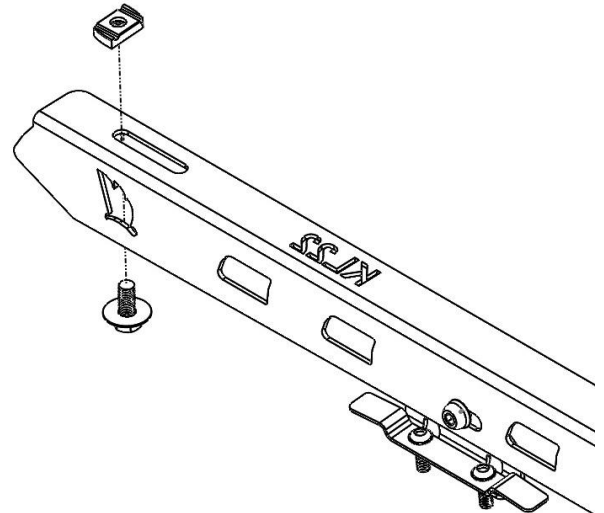
Attach rails to lugs using 10mm hardware with the wedgetail logo facing to the front of the vehicle. Refer to the diagram (Do not tighten fully).



**Step 4:**

Fit 10mm Bolts / Split washers/ Flat washers / Channel Nuts to the top of rail.

*\*Channel nuts to the top as shown in the next diagram*



**STEP 5:**

Place the Wedgetail Platform on the rails (Wind deflector mounting toward the front of the vehicle), then spin the channel nuts 90 degree in the channel on the underside of the rack till they lock into the channels. Do not tighten fully.

**STEP 6:**

Using a tape measure centralize the platform in relation to the wedgetail mounting rails.

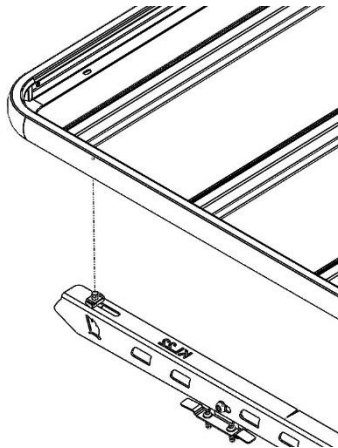
# Toyota Kluger 2022 Fitting Instructions



**WT-TKL22-1813**

## **STEP 7:**

Fully tighten remaining bolts in the following order:



1. Rail to lug
2. Platform to rails

**\* Ensure the channel nuts are 90 degrees to the channels in the platform**

3. Attach Wind Deflector

**Check fastenings are firmly tensioned at regular intervals**

**Do not overtighten, this will preserve the spring washers.**

Thank you for your purchase.

**Please complete your warranty application following correct installation.**

Wedgetail by Tradesman Roof Racks

Innovation through Inspiration