



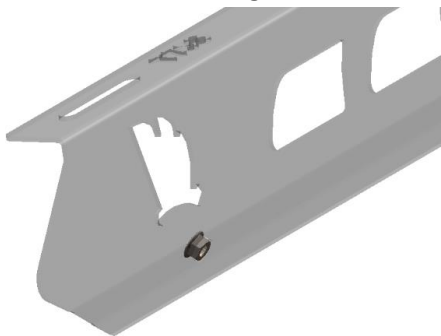
### Toyota Landcruiser 79 Series Dual Cab



**Congratulations on the purchase of your Australian made Wedgetail Roof Rack.**

**Please follow these instructions to ensure correct fitment.**

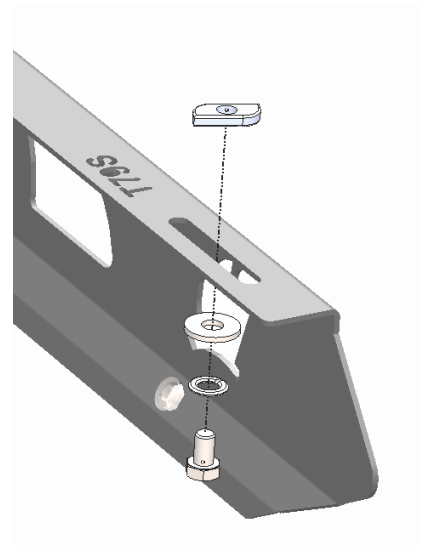
1. Put on the rubber gutter strip at the bottom of the rail to avoid scratching the gutter.
2. Place the Rail into the gutter in the desired location.
3. Insert M8 Wiz Nuts from the back of the rail as shown in the diagram.



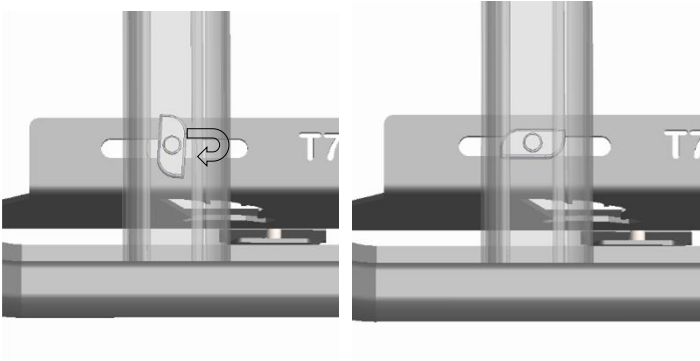
4. Mount the holding clip to the rail and gutter using M8 Bolt, Spring washer and plain Washer. Put on some tape underneath the gutter where the clip will sit.
5. Repeat the same for rest of the clips.



6. After the rail has been fitted, insert 10mm Bolt / Split washer/ Flat washer with the channel Nuts on top of rail.  
\*Channel nuts to the top as shown in the next diagram.



7. Place the Wedgetail Platform on the rails then push the channel nut upwards and spin the nuts 90 degree in the channel on the underside of the rack till they lock into the channels. Do not tighten fully.



8. Centralize the rack side to side (using a tape measure) on the wedgetail rails.
9. Fully tighten remaining bolts in the following order:
  - a) Rail to the Lug
  - b) Rails to Platform\* ensure the channel nuts are 90 degree to the channels in the platform.
  - c) Install wind deflector using 8mm hardware

**Note:** Check fastenings are firmly tensioned at regular intervals.  
Do not overtighten, this will preserve the spring washers.

Thank you for your purchase.

**Wedgetail by Tradesman Roof Racks**

*Innovation through Inspiration*