

Wedgetail Rails and Platform Fitting Instruction

To suit Utemaster Canopy Centurion



WT-UCC-1411

Congratulations on the purchase of your Australian made Wedgetail Roof Rack product.

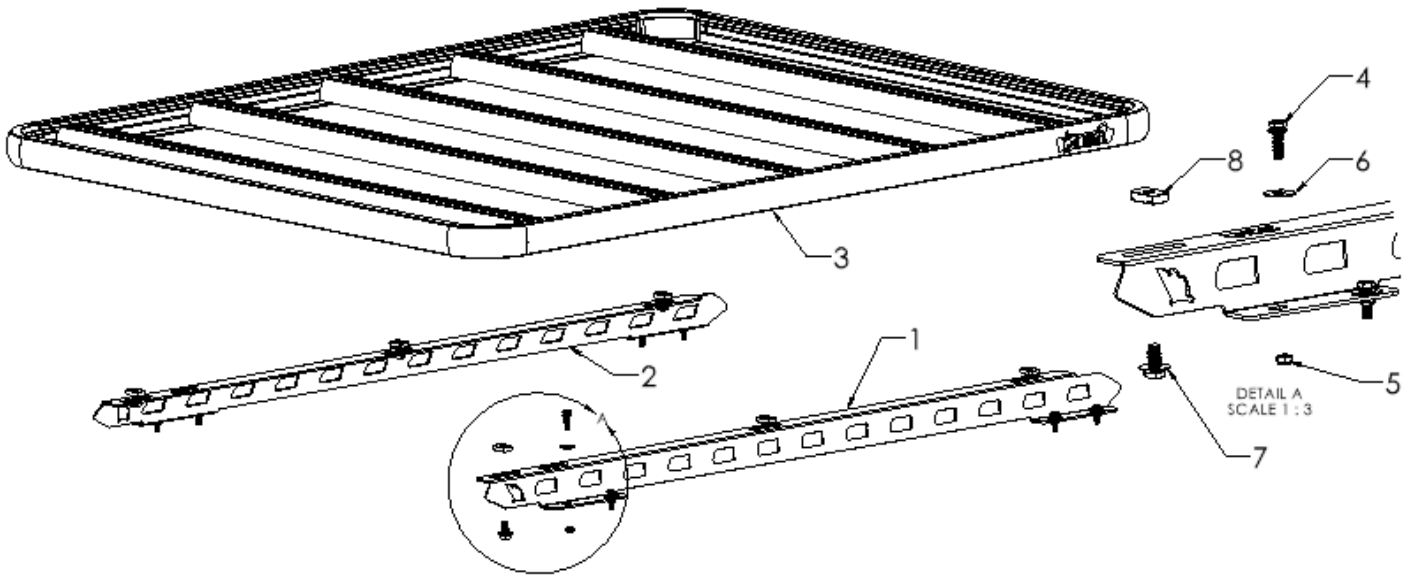
Please read and follow the instructions carefully to ensure correct fitment.

Contact us if any parts appear missing, incorrect, or damaged.

Clean the roof prior to fitting the roof racks.

Tools Required:

- Spanner (13 mm & 17 mm)



KIT CONTENTS					
ITEM	COMPONENT	QTY	ITEM	COMPONENT	QTY
1	Wedgetail UCC Left Rail	1	6	8MM Flat Washer	8
2	Wedgetail UCC Right Rail	1	7	M10 x 20 Stainless Hex Bolt Sems	6
3	Wedgetail Pre-assemble platform	1	8	M10 Unistrut	6
4	M8 X 25 SEMS Bolt Hex	8	9		
5	8mm Nyloc Nut	8	10		

Locate the mounting holes

1

- Please locate the factory mounting holes on Utemaster canopy.

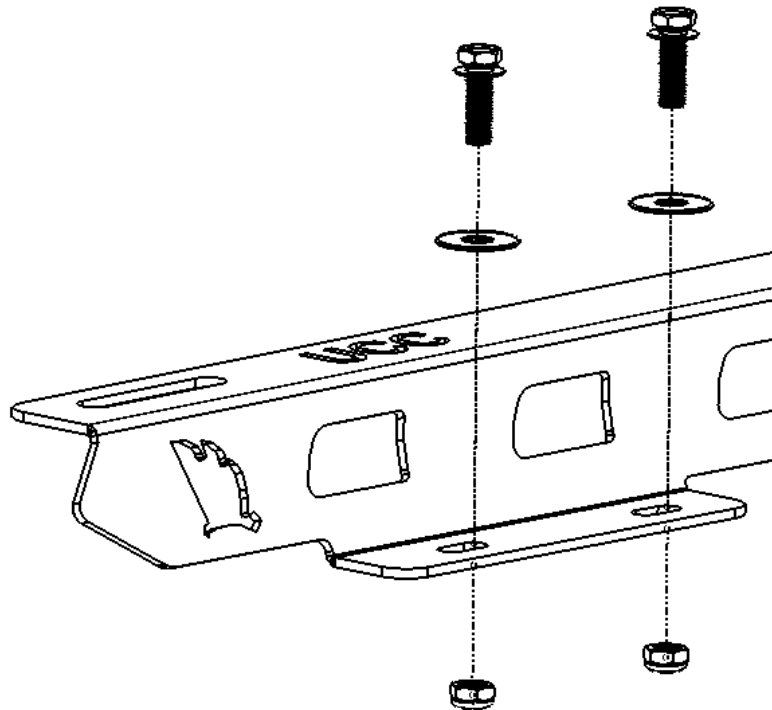
2

- Apply silicone on all the roof channel mounting holes to prevent any water ingress.

Assemble rails to lugs

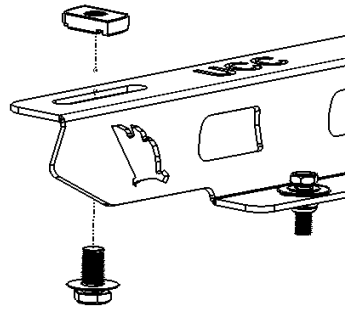
3

- Place rails on the mounting holes of the roof and fit in with M8 X 25 SEMS Bolt Hex / Washer / Nyloc nut
- Tighten fully all Bolts and Nuts after fit all the bolts to the mounting holes



4

- Attach the channel nuts to the top of rail.
 - Fit 10mm Bolt / Split washer / Flat washer / Channel Nuts to the top of rail.
- * Channel nuts to the top as shown in the following diagram



Assemble the Wedgetail Platform to the rails

5

- Place the Wedgetail Platform on the rails (Wind deflector mounting towards the front of vehicle), then spin the channel nuts 90 degree in the channel on the underside of the rack till they lock into the channels. Do not tighten fully.

6

- Centralize the rack side to side (using a tape measure) on the wedgetail rails.

7

- Fully tighten remaining bolts in the following order:
 1. Rails to the lugs
 2. Rails to platform
 3. Attach wind Deflector.

NOTE-Ensure the channel nuts are 90 degrees to the channels.



Check fastenings are firmly tensioned at regular intervals.

Do not overtighten, this will preserve the spring washers.

Thank you for your purchase.

Please complete your warranty application following correct installation.

Wedgetail by Tradesman Roof Racks

Innovation through Inspiration