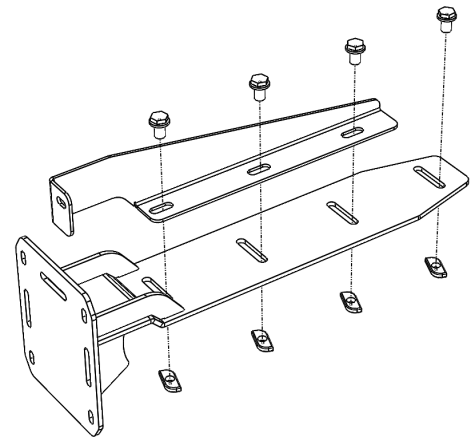
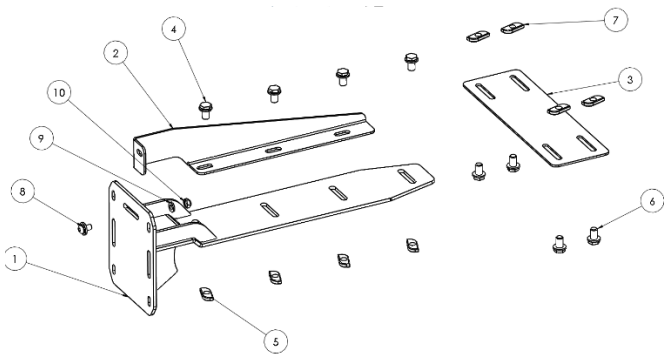




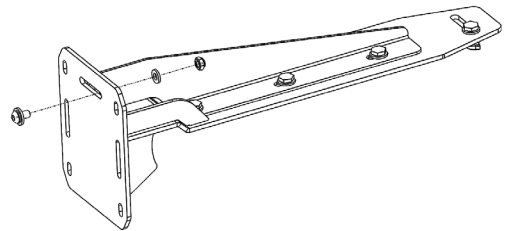
WTA-270

Accessory – 270 Awning Bracket

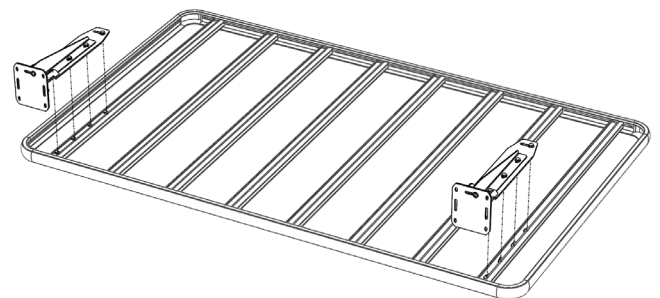
Congratulations on the purchase of your Australian made Wedgetail Roof Rack accessory.



2. Fasten the M8 X 22mm Bolt and washer using a Nyloc Nut as shown below.



3. Assemble the bracket on the top of the cross bar using the bolt, washers, and channel nuts. Refer to the diagram.

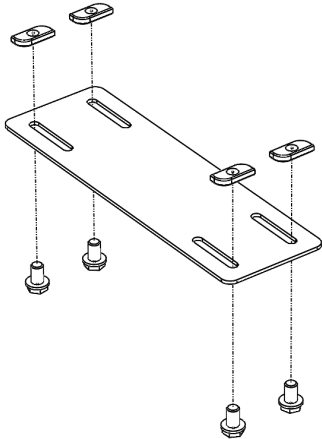


4. Loosely assemble the brace bracket using the M8X25 Hex Bolt and washer using the channel nuts.

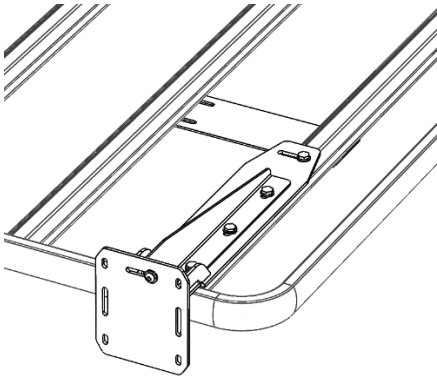
ITEM NO.	PART NAME	QTY
1.	Main Bracket	2
2.	Angle Brace	2
3.	Crossbar Brace Bracket	1
4.	M10 X 25MM Hex Bolt and Washer	8
5.	M10 Channel Nut	8
6.	M8 X 25mm Hex Bolt and Washer	4
7.	M8 Channel Nut	4
8.	M8 X 22mm Bolt and Washer	2
9.	M8 Flat Washer	2
10.	M8 Nyloc Nut	2

Please follow these instructions to ensure correct fitment.

1. Loosely assemble the Main Bracket to angle brace using M10 Hex Bolts and Washers and Channel Nut. Refer to the diagram.



5. Fasten the bolt by placing the assembled bracket under the rear two crossbars. Refer to the diagram.



Thank you for your purchase

Wedgetail by Tradesman Roof Racks

Innovation through Inspiration