

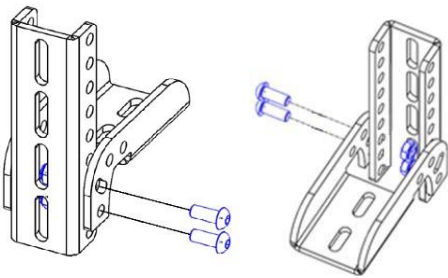


Accessory - Awning Bracket

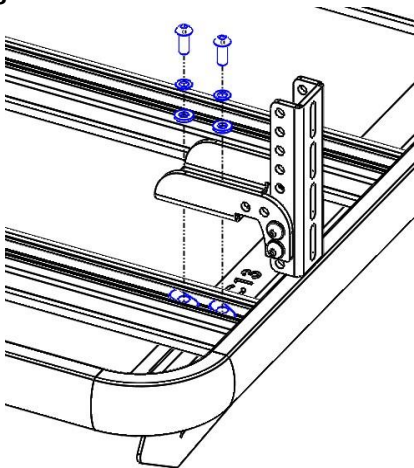
Congratulations on the purchase of your Australian made Wedgetail Roof Rack accessory. Please follow these instructions to ensure correct fitment.

1. Choose the desired angle for the Awning Bracket and align the holes.
2. Use the fasteners provided to assemble and bolt it using M8 Nyloc Nut. Refer to the pictures below.

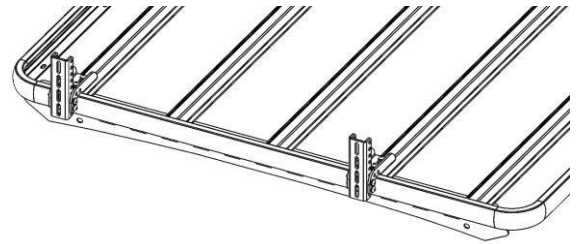
Note: Assemble all 4 bolts and nuts and then tighten.



3. Mount awning bracket to WT platform as shown using M8 Bolts and channel nuts provided. **Do not fully tighten.**

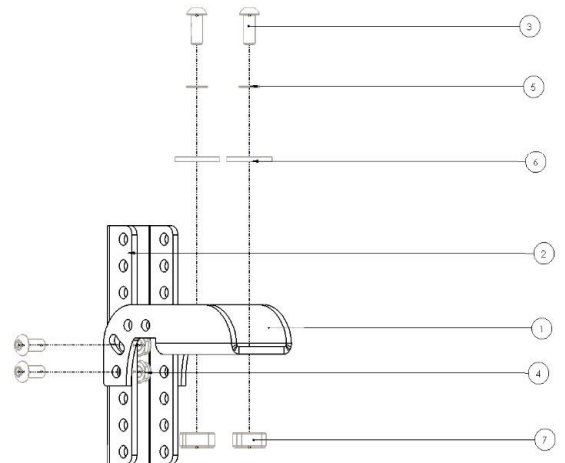


4. Put the bracket on the top of the platform and tighten the bolts.



Items in the box

ITEM NO.	PART NAME	QTY.
1	Fixed U Bracket	2
2	Front Adjustable Bracket	2
3	M8X20 Socket Head	12
4	M8 Nyloc Nuts	8
5	Internal Tooth Lock Washers	4
6	M8 Plain washer	4
7	M8 Unistrut nut	4



Thank you for your purchase

Wedgetail by Tradesman Roof Racks

Innovation through Inspiration