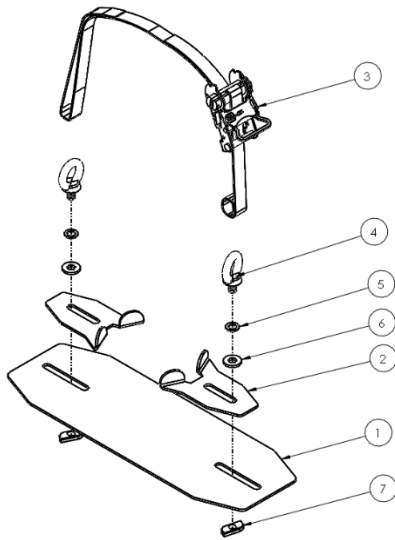




Accessory – Gas Bottle Holder

Congratulations on the purchase of your Australian made Wedgetail Roof Rack accessory.

List of Items in the box:



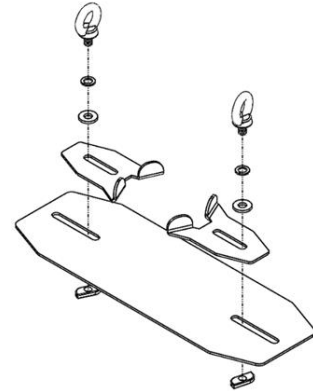
ITEM NO.	PART NAME	QTY
1.	Flat Bottom Plate	1
2.	Adjustable L Bracket	2
3.	Ratchet Strap	1
4.	M10 Tie Down Bolt	2
5.	M10 Spring Washer	2
6.	M10 Plain Washer	2
7.	M10 Channel Nut	2

Please follow these instructions to ensure correct fitment.

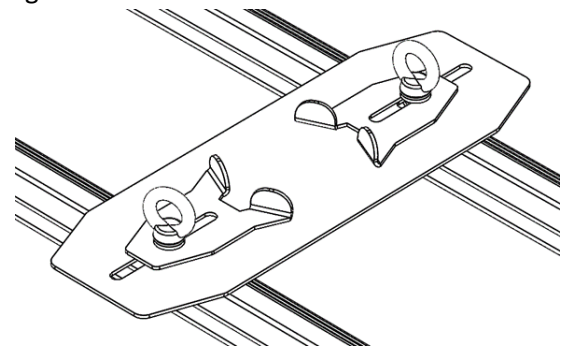
1. Loosely Fasten the flat bottom plate and adjustable L bracket together using the tiedown bolts, washers and channel nuts.



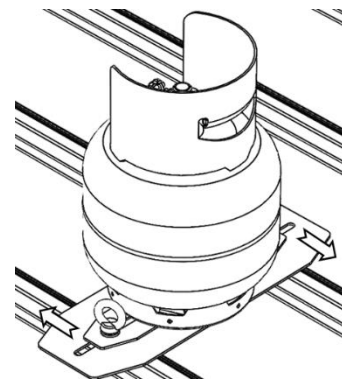
WTA-GBH



2. Place the channel nuts into the cross bars as shown. Do not tighten.



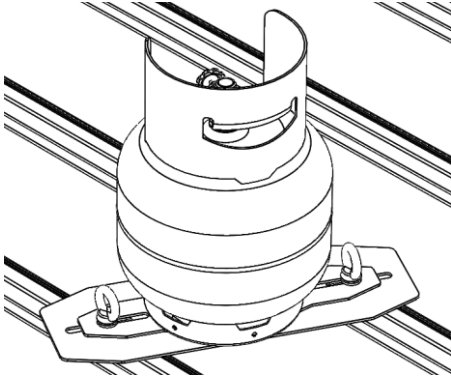
3. Place the Gas Bottle on the top as shown in the diagram.



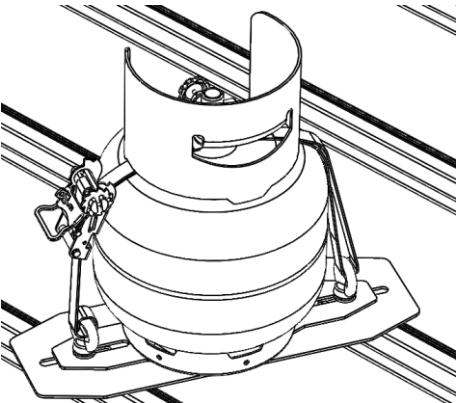
4. Rotate the flat plate over the crossbar until the base plate is tight enough to hold the bottom of the gas bottle. Tighten the tie down bolts in the desired position.



WTA-GBH



5. Pass the strap through the 1st eyelet than over the top of the bottle on wither side of the gas outlet, down through the 2nd eyelet and back over to the top of the bottle through the ratchet. Tighen ratchet to secure.



Note: When travelling check strap for tension at required intervals.

Thank you for your purchase

Wedgetail by Tradesman Roof Racks

Innovation through Inspiration