

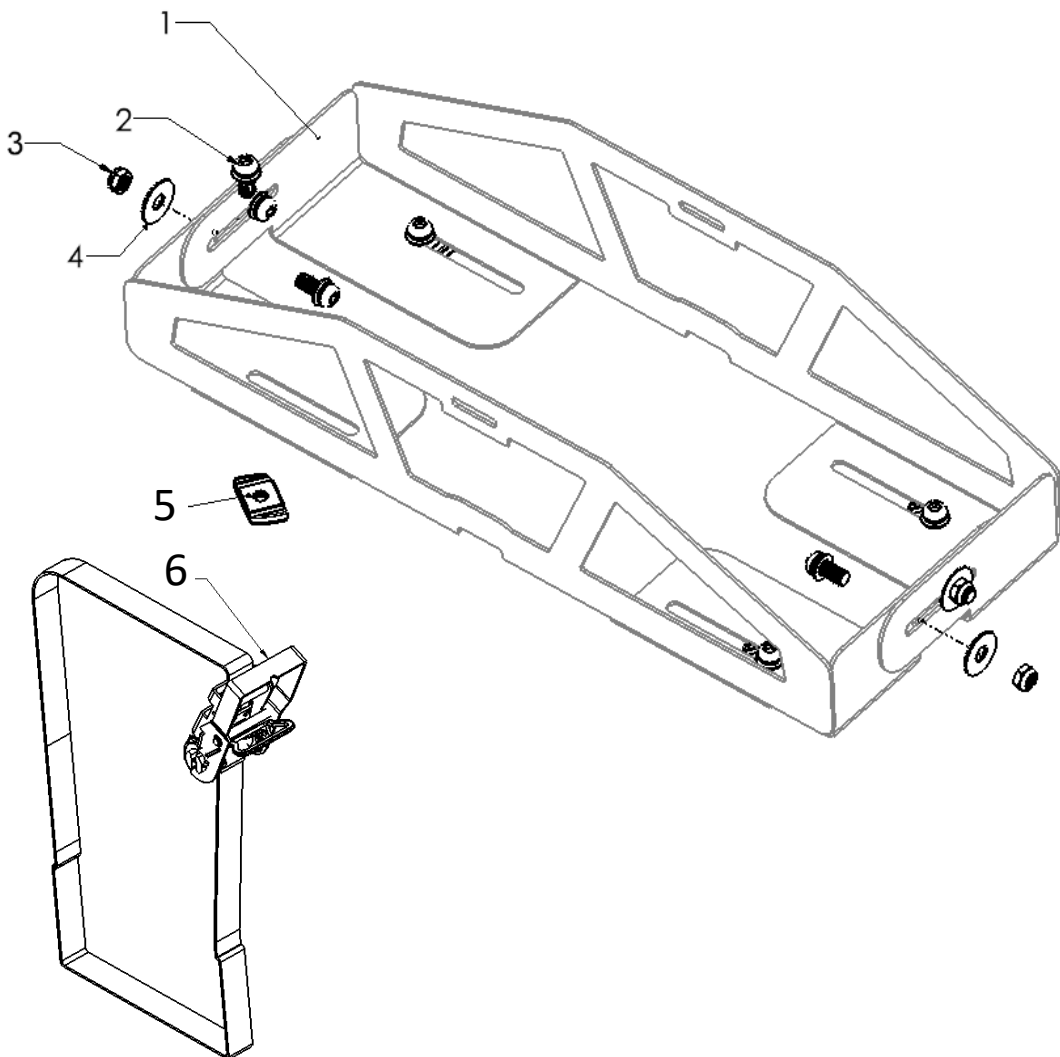
**Congratulations on the purchase of your Australian made Wedgetail Roof Rack product.**

Please read and follow the instructions carefully to ensure correct fitment.

Contact us if any parts appear missing, incorrect, or damaged.

### Tools Required:

- Hex key (6mm)



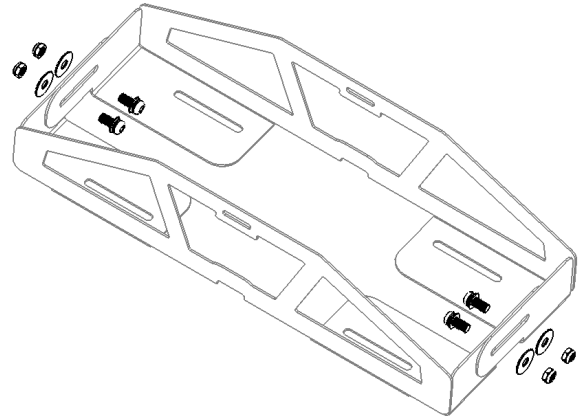
### KIT CONTENTS

ITEM	COMPONENT	QTY	ITEM	COMPONENT	QTY
1	Jerry Can Holder	2	5	M8 Channel Nut	4
2	M8 x 22 Dacro Black Dome Bolt	8	6	Jerry Can Black Strap	1
3	M8 Nyloc Nut	4			
4	8mm Flat Washer	4			

## Assemble the Jerry Can holder

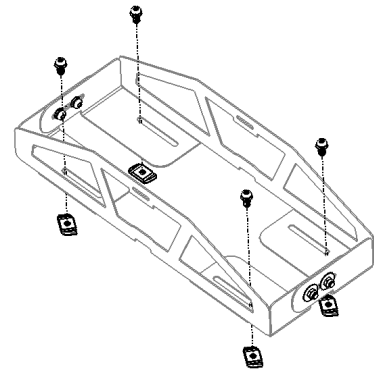
1

- Adjust the size of Jerry Can holder to fit the width of the Jerry Can and use M8 Dome bolt and nut to lock them together



2

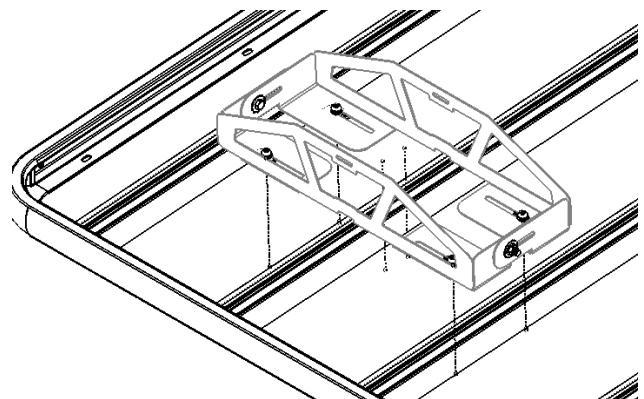
- Insert the provided M8 Dome bolts /Nutsert into the aligned holes and fasten lightly to channel nut



## Assemble the holder to roof rack

3

- *Now place the Jerry Can Holder on the crossbars allowing the channel nuts to sit into the cross bar.*

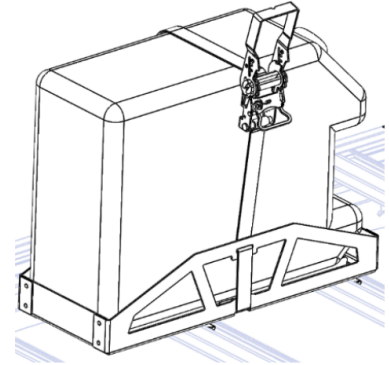


4

- Rotate the channel nut into the cross bar by 90 degree to ensure it is secured.

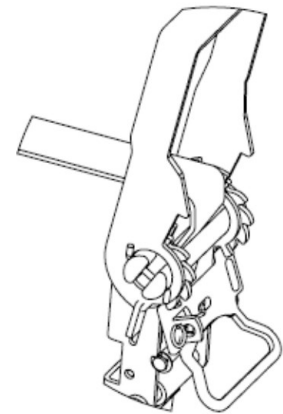
**5**

- Now insert the strap into the Jerry Can Holder as per the diagram.



**6**

- Insert the strap into the ratchet. Refer to the diagram.



**7**

- Tighten it by moving the ratchet handle up and down.

**8**

- To release the strap, open up the ratchet handle and pull the release handle and pull out the strap.

**Thank you for your purchase.**

**Please complete your warranty application following correct installation.**

**Wedgetail by Tradesman Roof Racks**

**Innovation through Inspiration**