

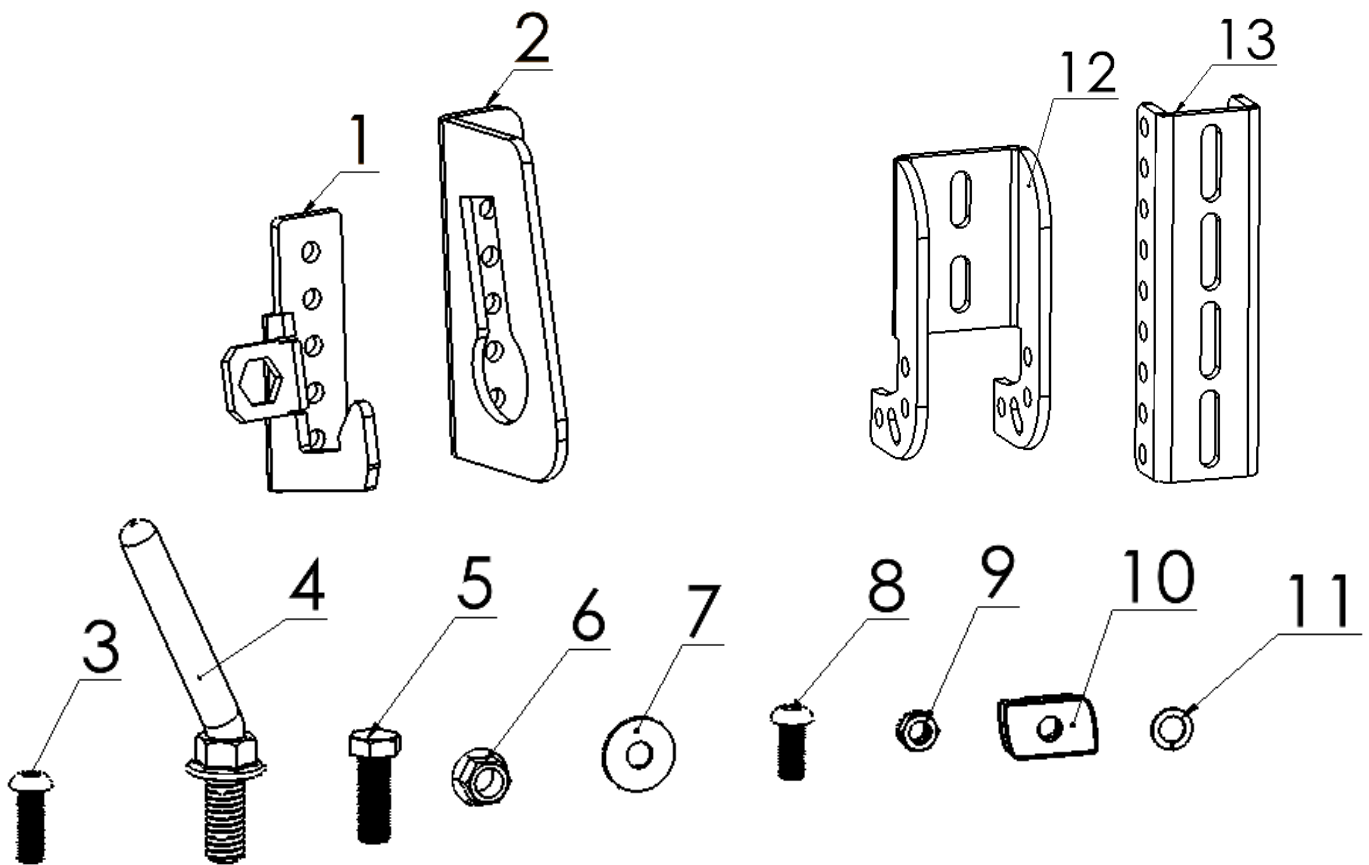
Congratulations on the purchase of your Australian made Wedgetail Roof Rack product.

Please read and follow the instructions carefully to ensure correct fitment.

Contact us if any parts appear missing, incorrect, or damaged.

Tools Required:

- Hex key (6mm & 8mm)



KIT CONTENTS

ITEM	COMPONENT	QTY	ITEM	COMPONENT	QTY
1	Left Jack Holder Bracket	1	8	M8 x 20 Button Zinc Socket Screw	12
2	Right Jack Holder Bracket	1	9	8mm Nyloc Nut	12
3	8mm x 25mm Domie Bolt	4	10	M8 Channel Nut	4
4	M12 Jack Handle	2	11	M8 Zinc Split Washer	4
5	M10 x30 Hex Set Screw	1	12	Fixed U Bracket	2
6	M10 Whiz Lock Nut	1	13	Front Adjustable Bracket	2
7	M8 Flat Washer	12			

Assemble the Awning Bracket

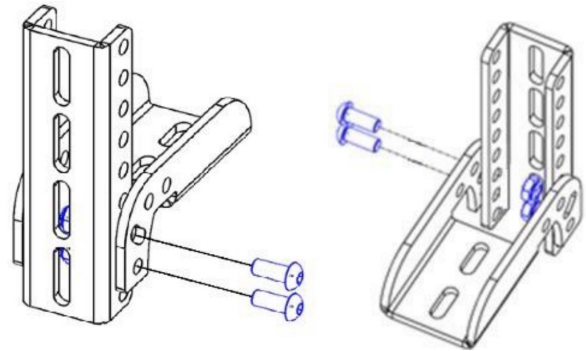
1

- Choose the desired angle for the awning bracket and align the holes

2

- Use the M8 bolt provided to assemble and tighten with M8 Nyloc Nut.

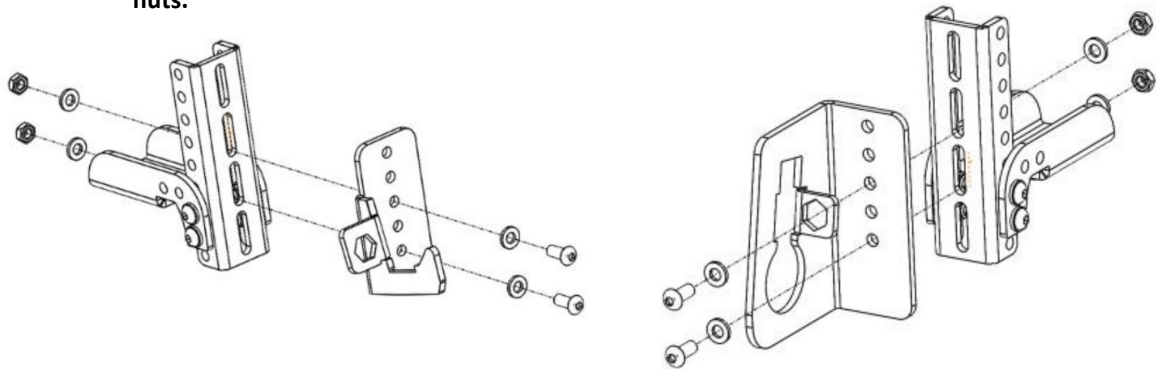
Please refer to the picture.



Assemble the jack holder to Awning Bracket

3

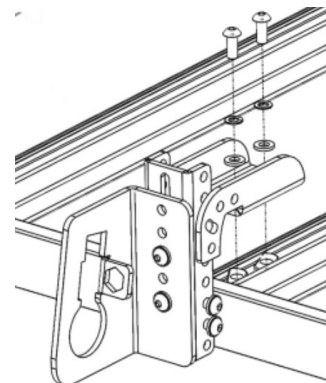
- Fasten the two Jack Brackets to the adjustable brackets provided using M8 bolts, washers and nuts.



Assemble the bracket to roof rack

4

- Mount awning bracket to WT platform as shown using M8 Bolts and channel nuts provided. Do not fully tighten.





WTA-JSH

5

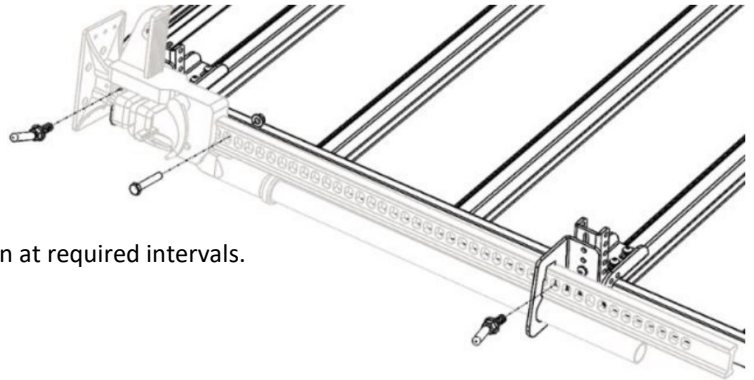
- Secure the Jack using the securing knobs provided.

6

- Fasten a M10 nut as shown to make sure the handle does not move.



Note: When travelling check for tension at required intervals.



Thank you for your purchase.

Please complete your warranty application following correct installation.

Wedgetail by Tradesman Roof Racks

Innovation through Inspiration