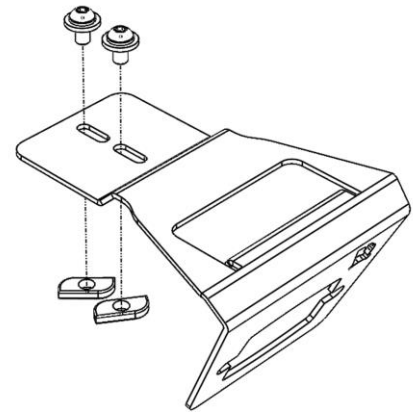
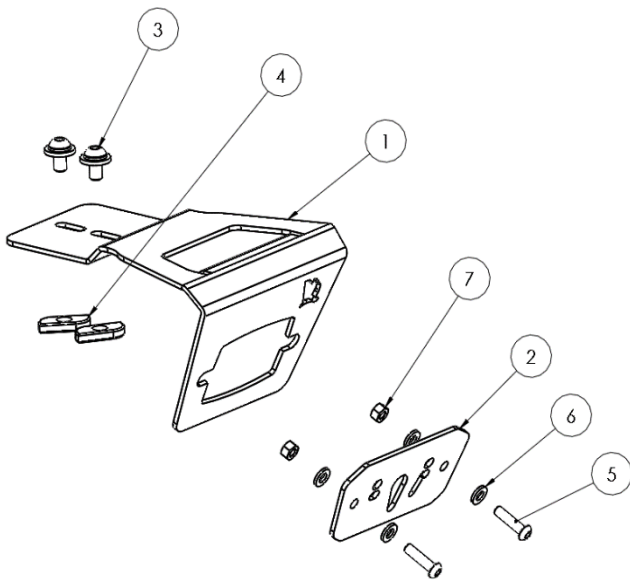




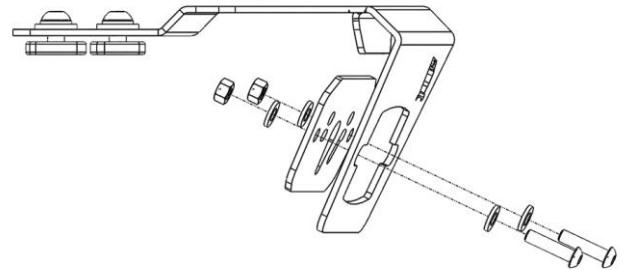
WTA-LMGH

Accessory – Light Mount Grab Handle

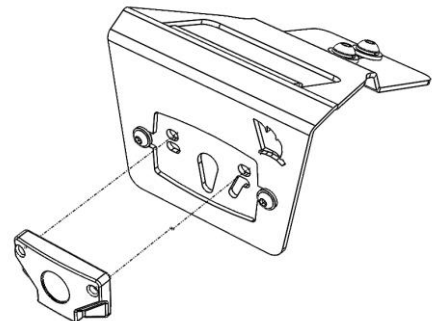
Congratulations on the purchase of your Australian made Wedgetail Roof Rack accessory.



2. If using Rock Lights, assemble the attachment to Light Mount using M6 Bolt, Washer and Nyloc Nut as shown.



3. Attach the Light (rock light)

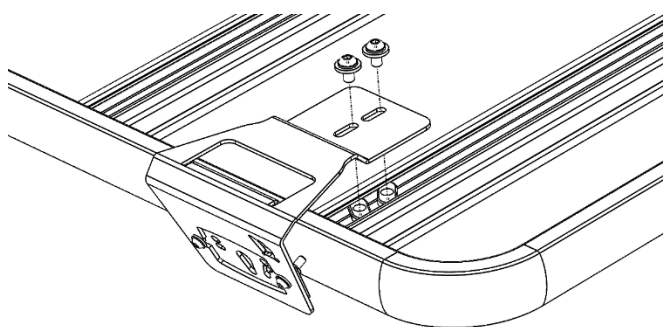


4. Assemble the bracket on the top of the cross bar using bolt, washers, and channel nuts. Refer to the diagram.

ITEM NO.	PART NAME	QTY
1.	Light Mount	1
2.	Rock Light Attachment	1
3.	M8 X 22mm Bolt and Washer	2
4.	M8 Channel Nut	2
5.	M6 X 20mm Bolt	2
6.	M6 Flat Washer	2
7.	M6 Nyloc Nut	2

Please follow these instructions to ensure correct fitment.

1. Loosely assemble the Light Mount using M8 Bolts and Washers and Channel Nut. Refer to the diagram.



Thank you for your purchase

Wedgetail by Tradesman Roof Racks

Innovation through Inspiration