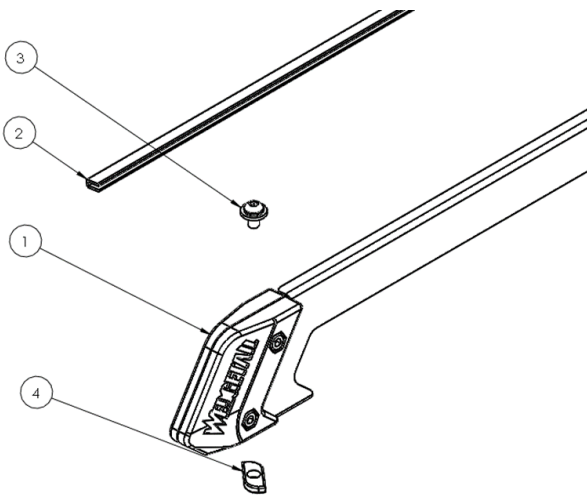




WTA-S40

Accessory – Wedgetail Sides

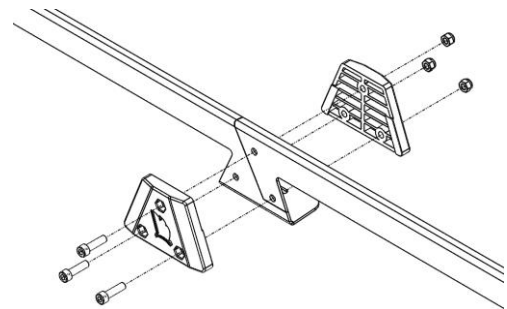
Congratulations on the purchase of your Wedgetail Roof Rack accessory.



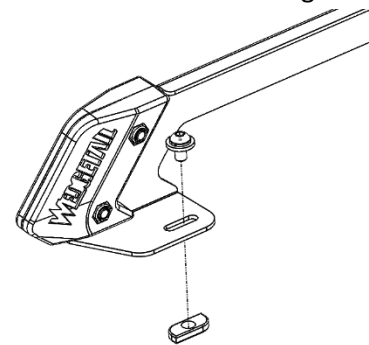
ITEM NO.	PART NAME	QTY
1.	Wedgetail Side	6
2.	Side Rubber (3.5m)	2
3.	M8X22 Stainless Sems Bolt	12
4.	M8 Channel Nut	12
5.	M8 X 30 S/S Bolt	12
6.	M8 Nyloc Nut	12
7.	Middle Cover	8

Please follow these instructions to ensure correct fitment.

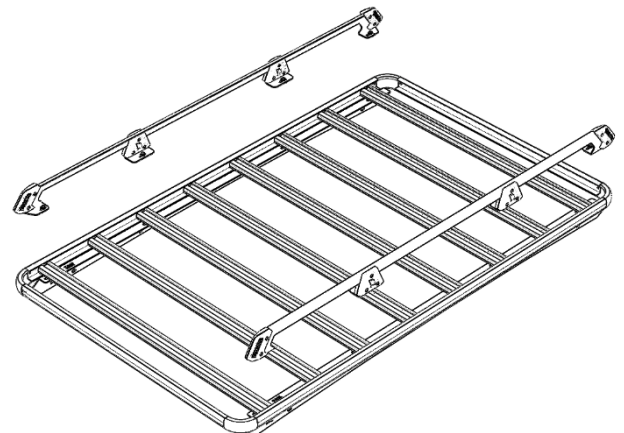
1. Assemble the side rails supplied using M8 X 30 Bolt and Nut.



2. Loosely fasten the side rails using the M8 Bolts and channel nut. Refer to the diagram.



3. Fasten the Side Rails to the platform using M8 Stainless bolt and washers and channel nuts. Place the channel nuts in the cross bar and rotate 90 degrees to ensure secure fitment as shown.



Thank you for your purchase

Wedgetail by Tradesman Roof Racks

Innovation through Inspiration