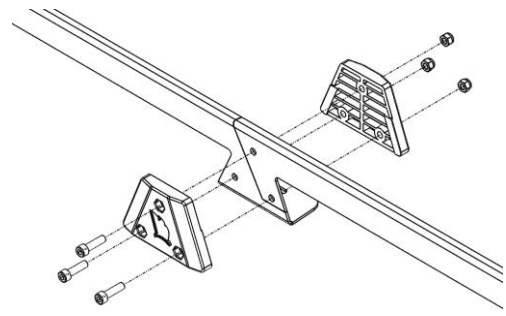
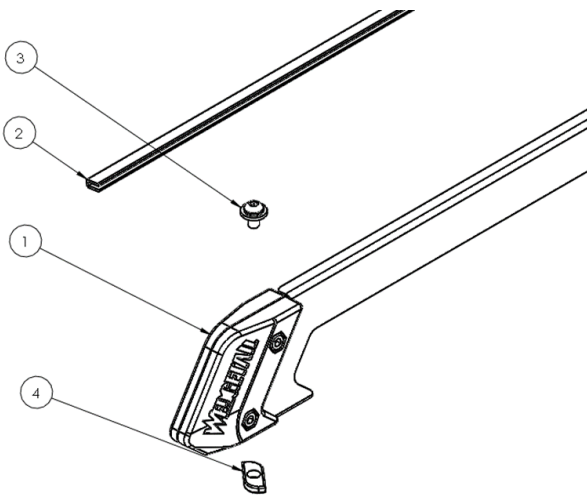




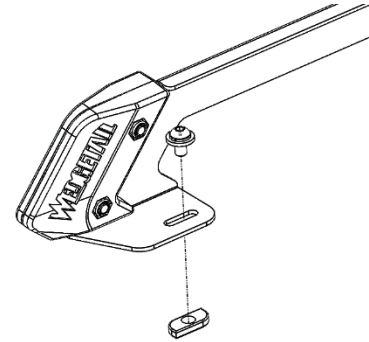
WTA-S42

Accessory – Wedgetail Sides

Congratulations on the purchase of your Wedgetail Roof Rack accessory.



2. Loosely fasten the side rails using the M8 Bolts and channel nut. Refer to the diagram.

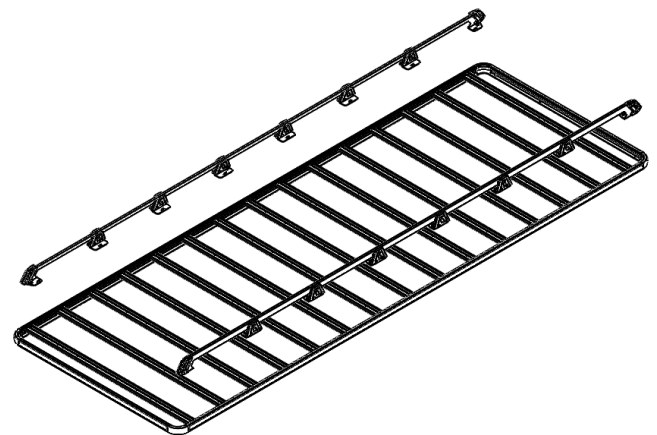


3. Fasten the Side Rails to the platform using M8 Stainless bolt and washers and channel nuts. Place the channel nuts in the cross bar and rotate 90 degrees to ensure secure fitment as shown.

ITEM NO.	PART NAME	QTY
1.	Wedgetail Side	6
2.	Side Rubber (3.5m)	2
3.	M8X20 Stainless Sems Bolt	16
4.	M8 Channel Nut	16
5.	M8 X 30 S/S Bolt	12
6.	M8 Nyloc Nut	12
7.	Middle Cover	8

Please follow these instructions to ensure correct fitment.

1. Assemble the side rails supplied using M8 X 30 Bolt and Nut.



Thank you for your purchase

Wedgetail by Tradesman Roof Racks

Innovation through Inspiration