

Congratulations on the purchase of your Australian made Wedgetail Roof Rack product.

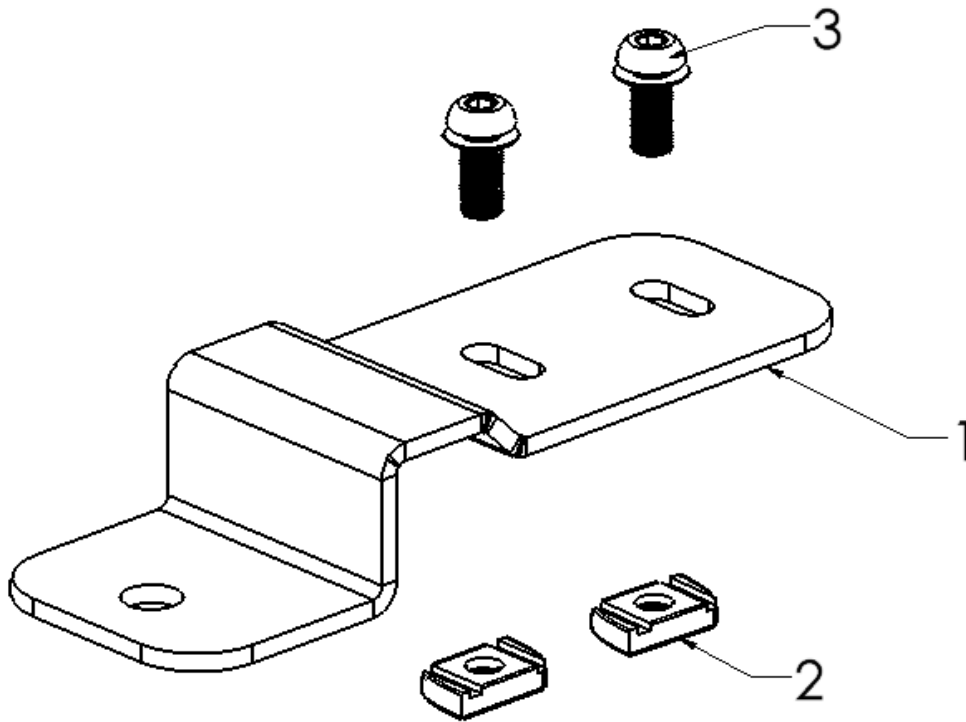
Please read and follow the instructions carefully to ensure correct fitment.

Contact us if any parts appear missing, incorrect, or damaged.

Contact us if any question about the size of platform to ensure the correct fitment

Tools Required:

- Hex key (6mm)



KIT CONTENTS					
ITEM	COMPONENT	QTY	ITEM	COMPONENT	QTY
1	Wedgetail Side Folding Aerial Mount	1	3	M10 x 25 Dacro	2
2	M10 Unistrut	4			

Wedgetail Accessory Side Folding Aerial Mount Bracket

Fitting Instruction



WTA-SFAM

1

- Assemble the side folding aerial mount on the cross bar using the channel nuts and M10 Dacro Bolts. Refer to the diagram.

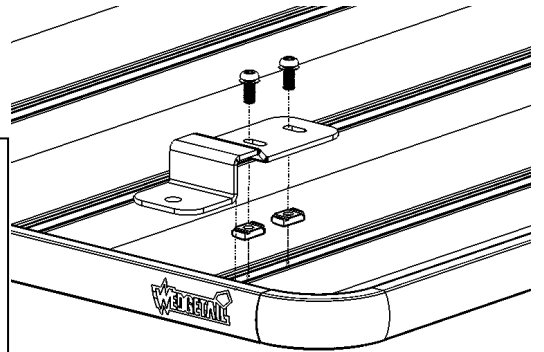
Item used in this step	
Item 1	Wedgetail Side Folding Aerial
Item 2	M10 Unistrut
Item 3	M10 x 25 Dacro

NOTE-Ensure the channel nuts are 90 degrees to the channels.



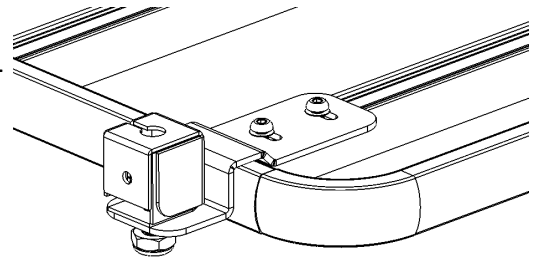
Check fastenings are firmly tensioned at regular intervals.

Do not overtighten, this will preserve the spring washers.



2

- Assemble the Mount Bracket with the mount holder using M16 hole.



Thank you for your purchase.

Wedgetail by Tradesman Roof Racks

Innovation through Inspiration