

Congratulations on the purchase of your Australian made Wedgetail Roof Rack product.

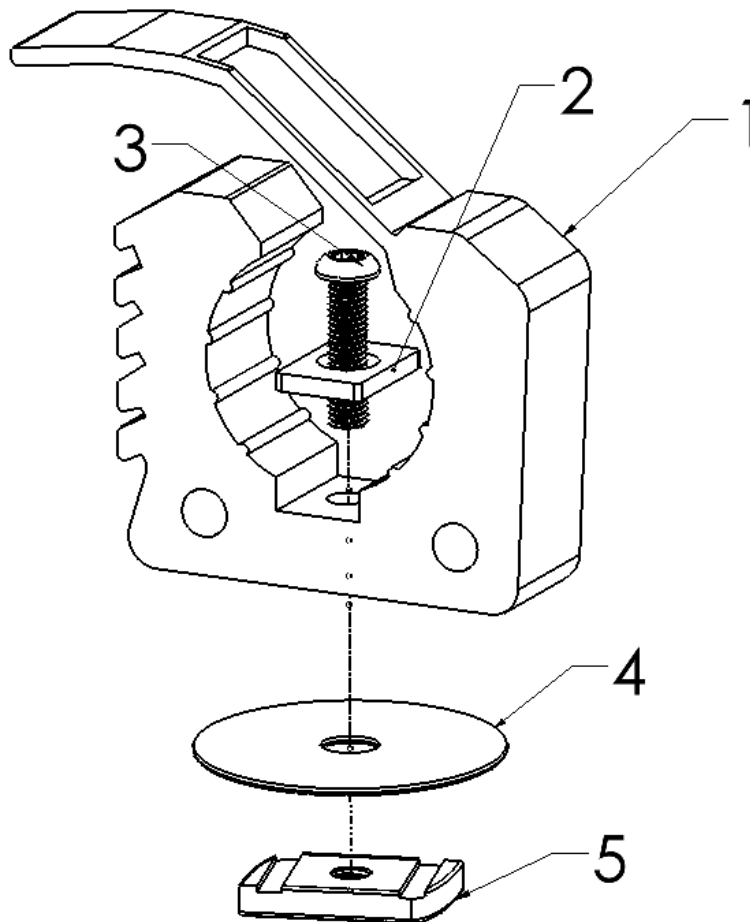
Please read and follow the instructions carefully to ensure correct fitment.

Contact us if any parts appear missing, incorrect, or damaged.

Contact us if any question about the size of platform to ensure the correct fitment

Tools Required:

- Hex key (4mm)



KIT CONTENTS					
ITEM	COMPONENT	QTY	ITEM	COMPONENT	QTY
1	Shovel Holder Quickfit	2	4	M8 x 40 Flat Washer	2
2	Shovel Holder Plastic Bolt holder	2	5	M6 Channel Nut	2
3	M6 x 25 Domie Hex Bolt	2			

1

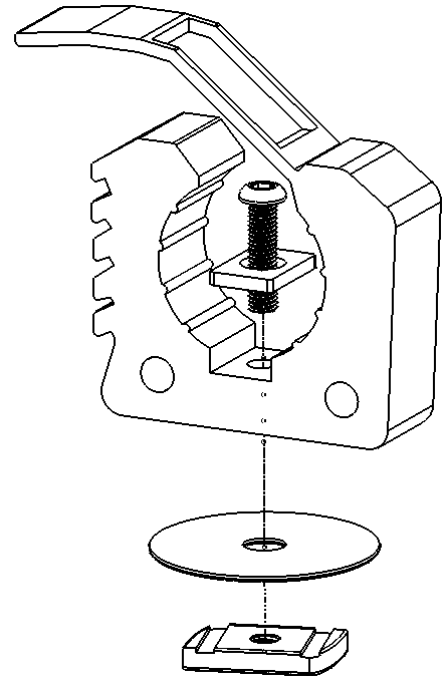
- Assemble the Shovel Holder on the top of the cross bar using the channel nuts. Refer to the diagram

NOTE-Ensure the channel nuts are 90 degrees to the channels.



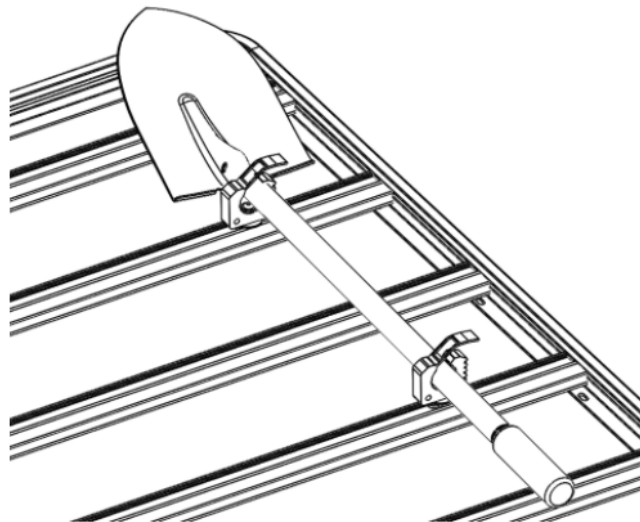
Check fastenings are firmly tensioned at regular intervals.

Do not overtighten, this will preserve the spring washers.



2

- Put on the shovel and tighten it by pulling the rubber strap.



Thank you for your purchase.

Wedgetail by Tradesman Roof Racks

Innovation through Inspiration