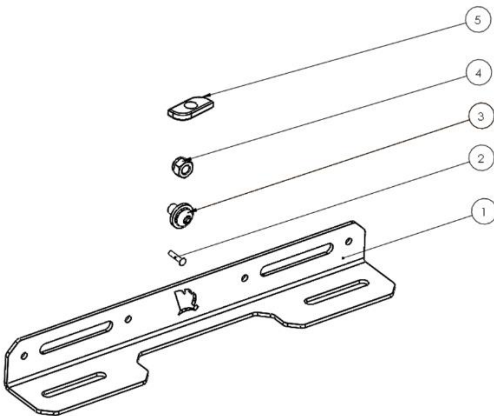


SOLAR PANEL MOUNTING INSTRUCTIONS



WTA-SPM

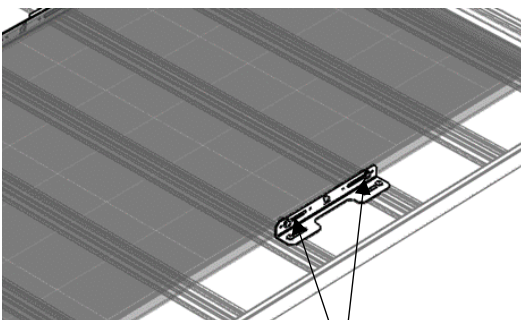
Congratulations on the purchase of your Australian made Wedgetail Roof Rack accessory.



ITEM NO.	PART NAME	QTY
1.	Solar Panel mounting brackets	2
2.	5mm Rivets	8
3.	M8 Bolts and washer	8
4.	M8 nyloc nut	4
5.	M8 Channel Nut	4

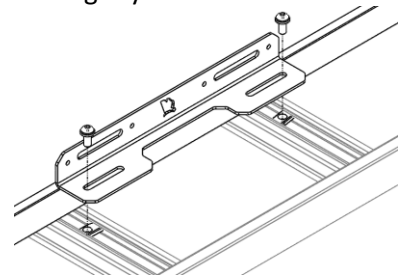
Please follow these instructions to ensure correct fitment.

1. Place the solar panel in desired position of the platform and align the solar panel bracket on the side across the two crossbars.
2. Mark the points where you need to drill the holes on the side of a solar panel bracket. Refer to the diagram below.

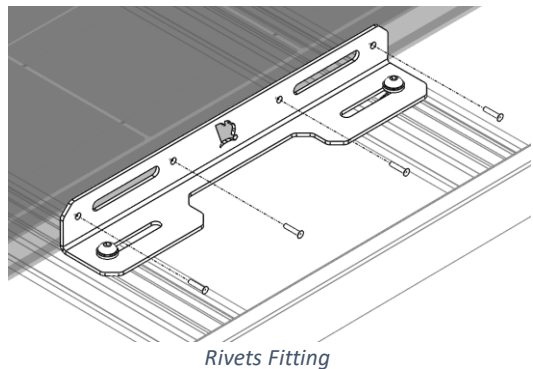
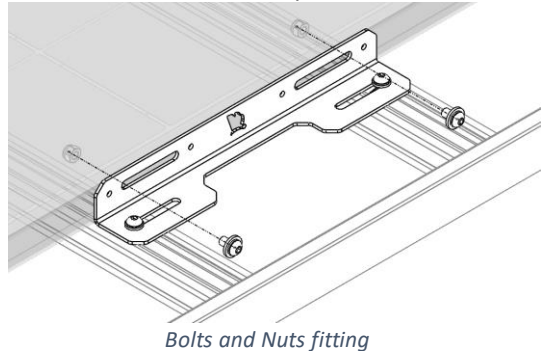


2 holes for M8 bolt mounting
or 4 Rivet holes for rivet mounting

3. Repeat for the opposite side as well.
4. Secure with M8X25 bolts & washers and channel nuts supplied to the crossbars. Refer to the diagram. Do not fasten tightly.



5. Insert the M8 Bolts and washer or rivets to fasten the bracket to the solar panel.



6. Adjust for desired position. Secure all the bolts and nuts.

Thank you for your purchase

Wedgetail by Tradesman Roof Racks

Innovation through Inspiration