

Congratulations on the purchase of your Australian made Wedgetail Roof Rack product.

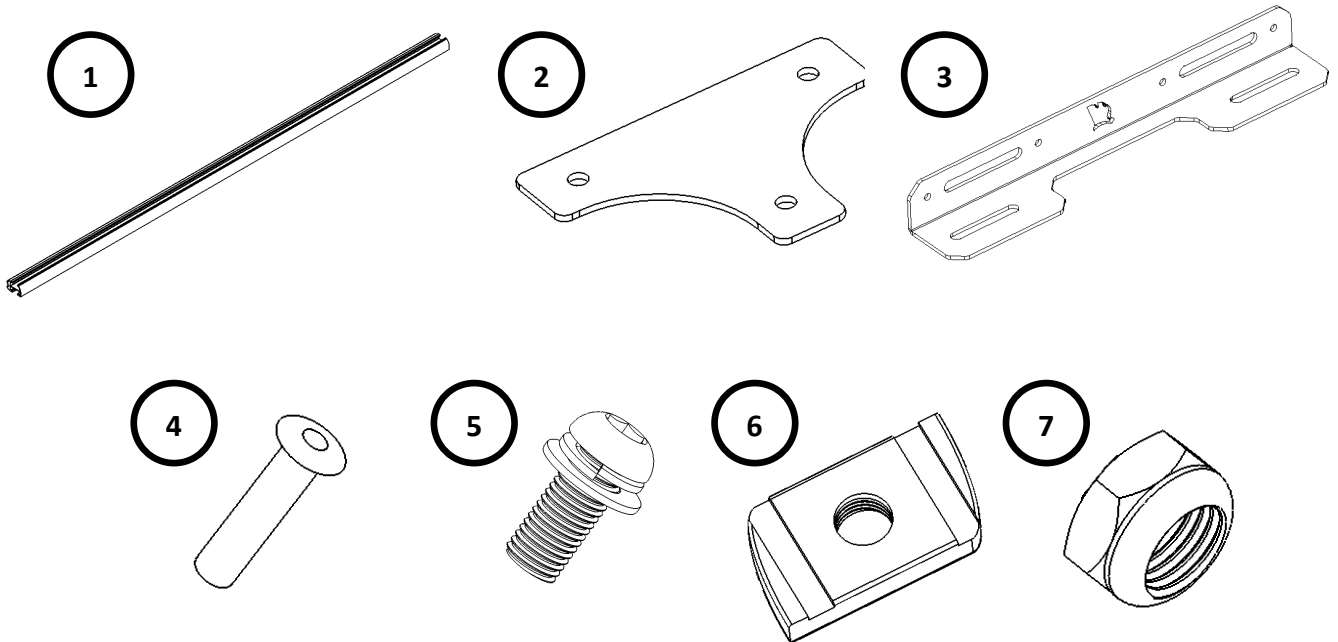
Please read and follow the instructions carefully to ensure correct fitment.

Contact us if any parts appear missing, incorrect, or damaged.

Contact us if any question about the size of platform to ensure the correct fitment

Tools Required:

- Hex key (5mm)
- Spanner 13mm
- Rivet Gun

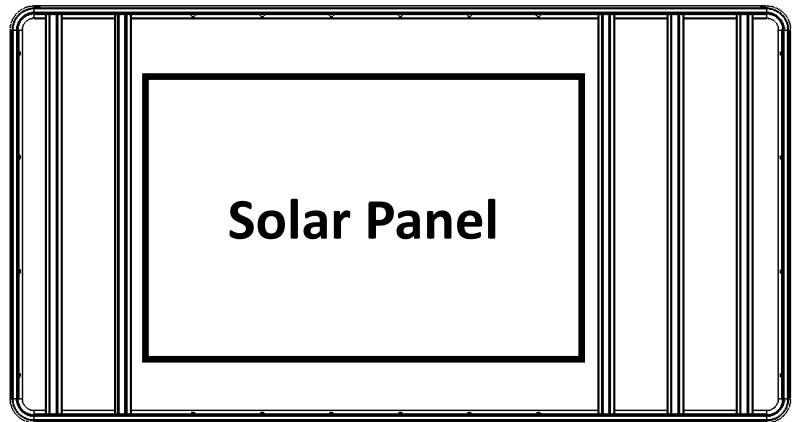


The quantity of the item are varied by the size of the solar panel using. If not confirm, please consult the team before installing

KIT CONTENTS					
ITEM	COMPONENT	QTY	ITEM	COMPONENT	QTY
1	Support Bar	2	5	M8 x 22 Dacro Black	44
2	Junction Plates	12	6	M8 Channel Nut	40
3	Solar Panel Mounting Bracket	2	7	M8 Nyloc Nut	4
4	5mm Rivet	8	8		

1

- Unscrew and remove crossbars that fall across the solar panel location.

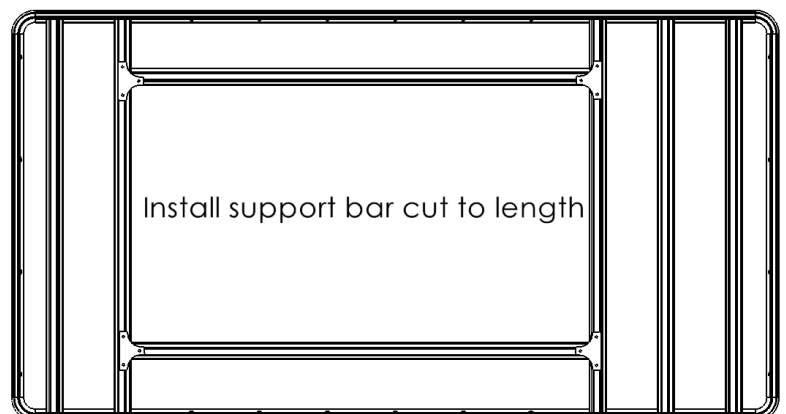
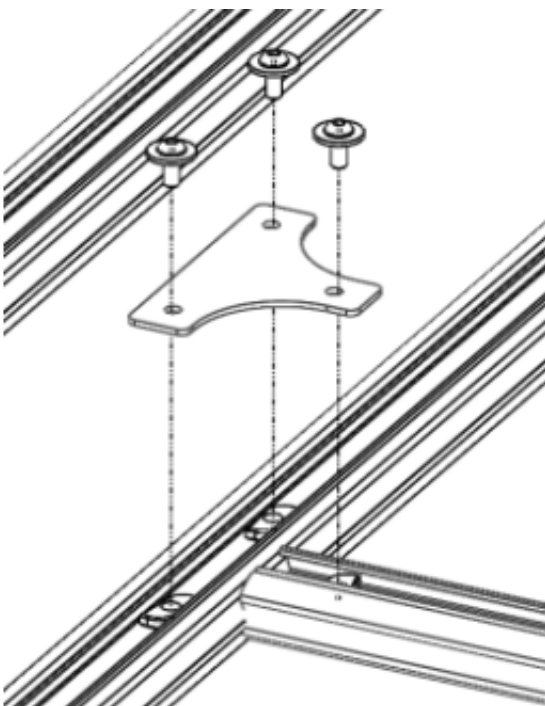


2

- Measure and cut support bars to reach the crossbars that are at the front and rear of solar panel

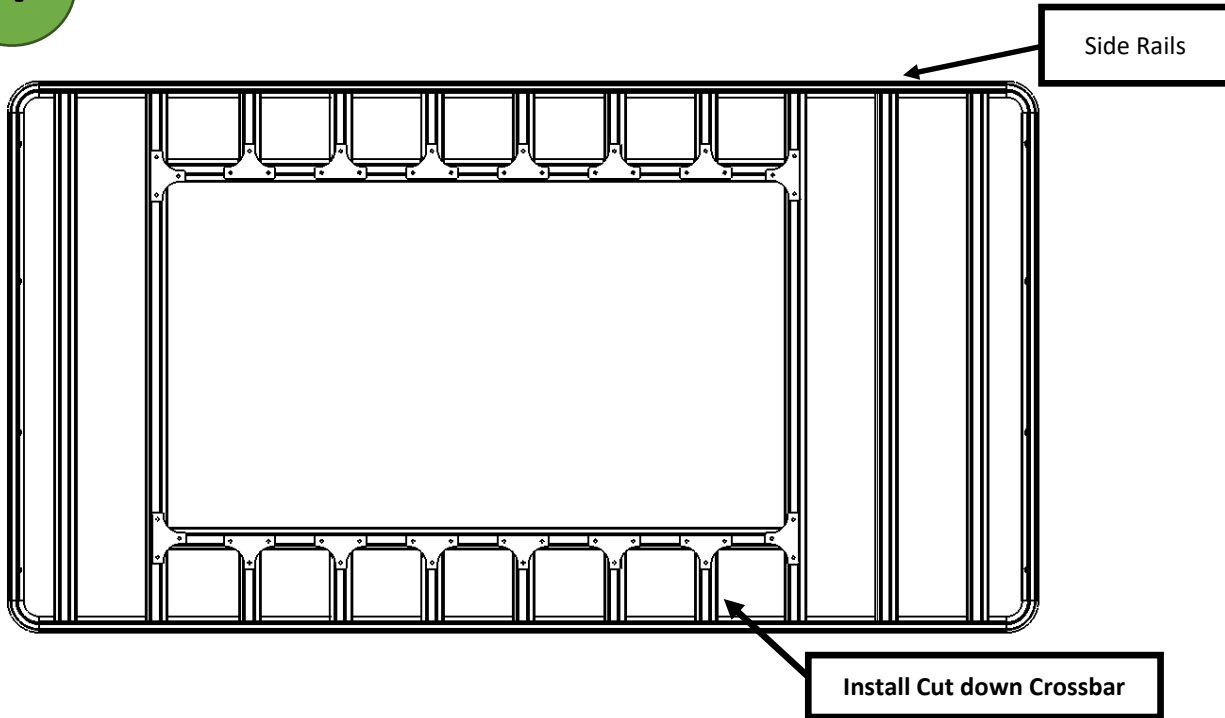
3

- Mount support bars to the rack leaving clearance of 20mm gap either side of the vent, secure using the junction plates with 3 X M8 channel nuts and mounting bolts. Note: Junction plates will go on the top of the crossbars. Remove the rack to help with the next step.



4

- Measure from the support bar to the rack sides and cut down removed bars to length.

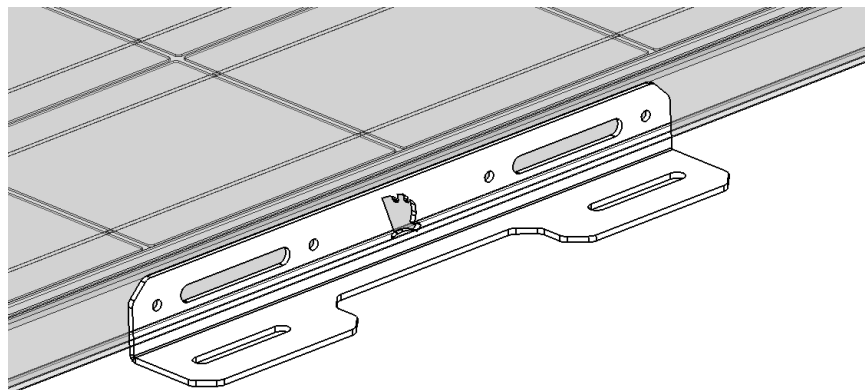


5

- Install cut down crossbars back into the rack using the original hardware to the side rail and use the junction plates to secure.

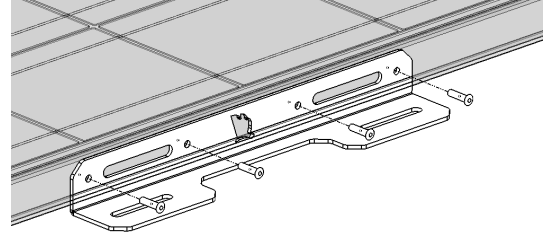
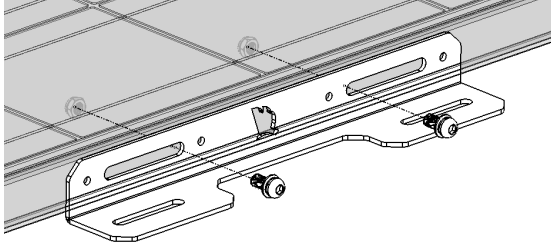
6

- Mark the points where you need to drill the holes on the side of a solar panel bracket. Refer to the diagram below.
- Repeat for the opposite side as well.



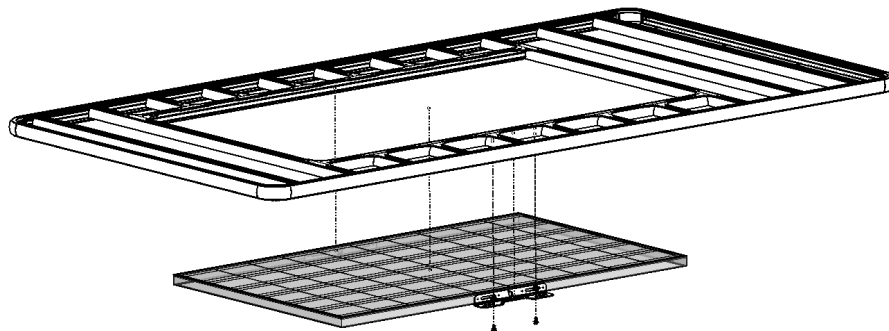
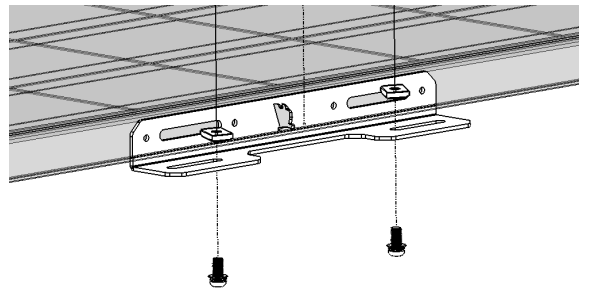
8

- Insert the M8 Bolts and washer or rivets to fasten the bracket to the solar panel.



9

- Secure with M8X22 bolts & washers and channel nuts supplied to the crossbars. Refer to the diagram. Do not fasten tightly.



10

- Adjust for desired position. Secure all the bolts and nuts.
- Sit rack in position on the roof (make sure that the rack is centred and aligned correctly to the roof).

NOTE-Ensure the channel nuts are 90 degrees to the channels.



Check fastenings are firmly tensioned at regular intervals.

Do not overtighten, this will preserve the spring washers.

Thank you for your purchase.

Please complete your warranty application following correct installation.

Wedgetail by Tradesman Roof Racks

Innovation through Inspiration