

Wedgetail Rails and Platform Fitting Instruction

To suit Toyota Landcruiser 300 series 2021-Onward



WT-T300-2213

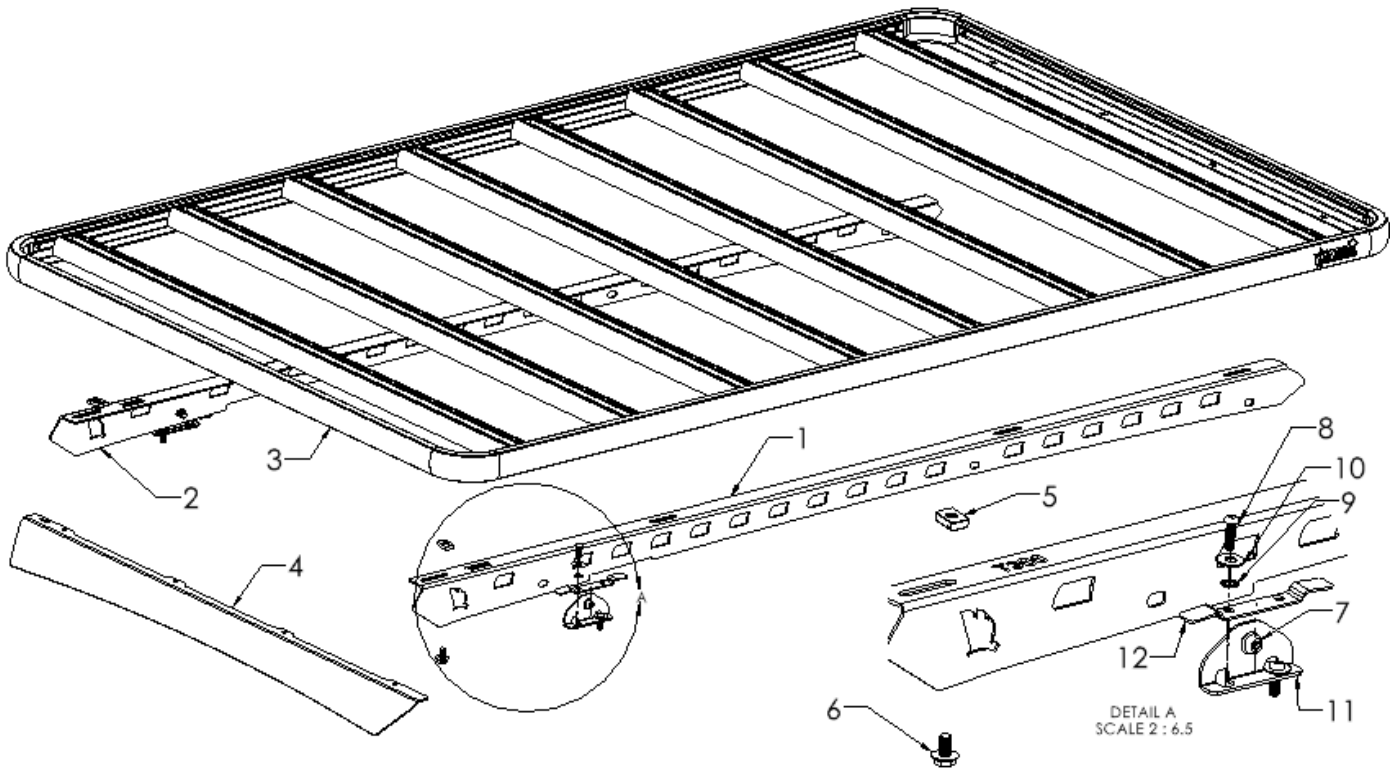
Congratulations on the purchase of your Australian made Wedgetail Roof Rack product.

Please read and follow the instructions carefully to ensure correct fitment.

Contact us if any parts appear missing, incorrect, or damaged.

Tools Required:

- Hex key (6 and 8 mm)
- Spanner (17mm)



KIT CONTENTS					
ITEM	COMPONENT	QTY	ITEM	COMPONENT	QTY
1	T300 Wedgetail Left Rails	1	8	8mm x 25mm Dome Bolt	12
2	T300 Wedgetail Right Rails	1	9	8mm Star Washer	12
3	Wedgetail Pre-assemble Platform	1	10	8mm Flat Washer	12
4	Wedgetail Wind Deflector & kits	1	11	Toyota Oval Lug	6
5	M10 Unistrut	8	12	Toyota Cover Plate	6
6	M10 X 20 Stainless Hex Bolt	8	13	Rubber Neo Washer	12
7	M10 Dacro Sems Dome Head	6			

Removing Factory Rails

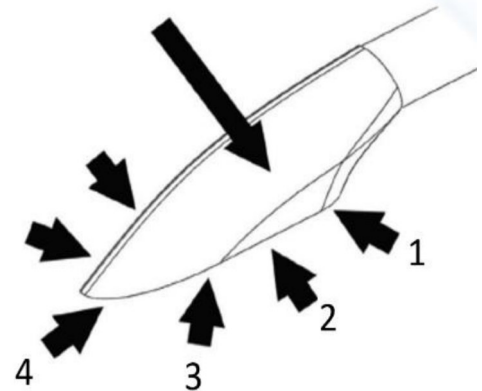
If no factory rails, please proceed to Step 5

1

Remove plastic covers from OEM factory rails using 2 trim removal tools. Insert the 1st trim tool at position 1.

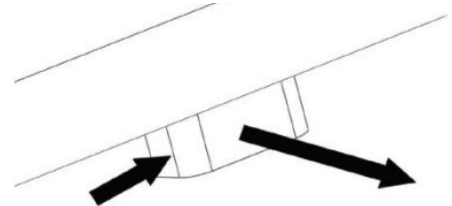
2

Insert the 2nd trim tool next to it and move it around the bottom edge of the cover keeping upward force until clips let go.



3

Remove the centre mount cover use a small trim tool place in the side of the mount between the cover and the metal part of the rail. Pull the plastic outwards until the clips let go.



4

To remove OEM rails, undo all mounting bolts first. Caution take care when removing roof rails, undo force may cause mounting plate to drop into roof. Leaving the rubber channel strips in place.

5

Where necessary remove OEM cover plates to expose additional mounting points.
If no factory rails: Remove 6x plastic cover plates to expose mountings.

6

Align Wedgetail rail with OEM mounting points to determine Mounting lug position.



Wedgetail Rails and Platform Fitting Instruction

To suit Toyota Landcruiser 300 series 2021-Onward



WT-T300-2213

7

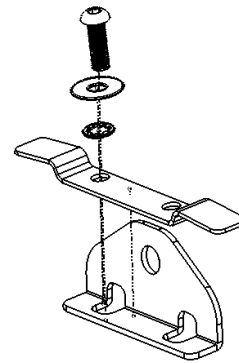
Place the neo rubber washers around the roof mounting holes as shown.

8

Apply silicone on all the roof channel mounting holes to prevent any water ingress.

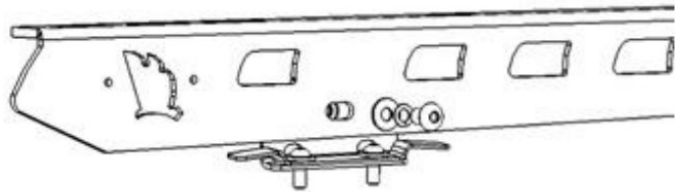
9

Attach 6 Wedgetail rail mounting lugs and cover plates using 8mm hardware (as shown below).



10

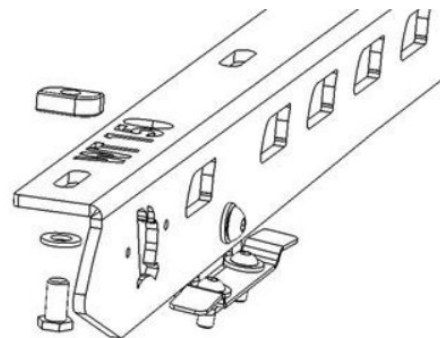
Attach Wedgetail rails to mounting lugs using 10mm hardware (as per diagram below).



11

- Attach the channel nuts to the top of rail.
- Fit 10mm Bolt / Split washer / Flat washer / Channel Nuts to the top of rail.

* Channel nuts to the top as shown in the following diagram





Assemble the Wedgetail Platform to the rails

12

- Place the Wedgetail Platform on the rails (Wind deflector mounting towards the front of vehicle), then spin the channel nuts 90 degree in the channel on the underside of the rack till they lock into the channels. Do not tighten fully.

13

- Centralize the rack side to side (using a tape measure) on the wedgetail rails.

14

- Fully tighten remaining bolts in the following order:
 1. Rails to the lugs
 2. Rails to platform
 3. Attach wind Deflector.

NOTE-Ensure the channel nuts are 90 degrees to the channels.



Check fastenings are firmly tensioned at regular intervals.

Do not overtighten, this will preserve the spring washers.

Thank you for your purchase.

Please complete your warranty application following correct installation.

Wedgetail by Tradesman Roof Racks

Innovation through Inspiration