

Wedgetail Rails and Platform Fitting Instruction

To suit Toyota Landcruiser 79 series Single Cab



WT-T79SC-0814

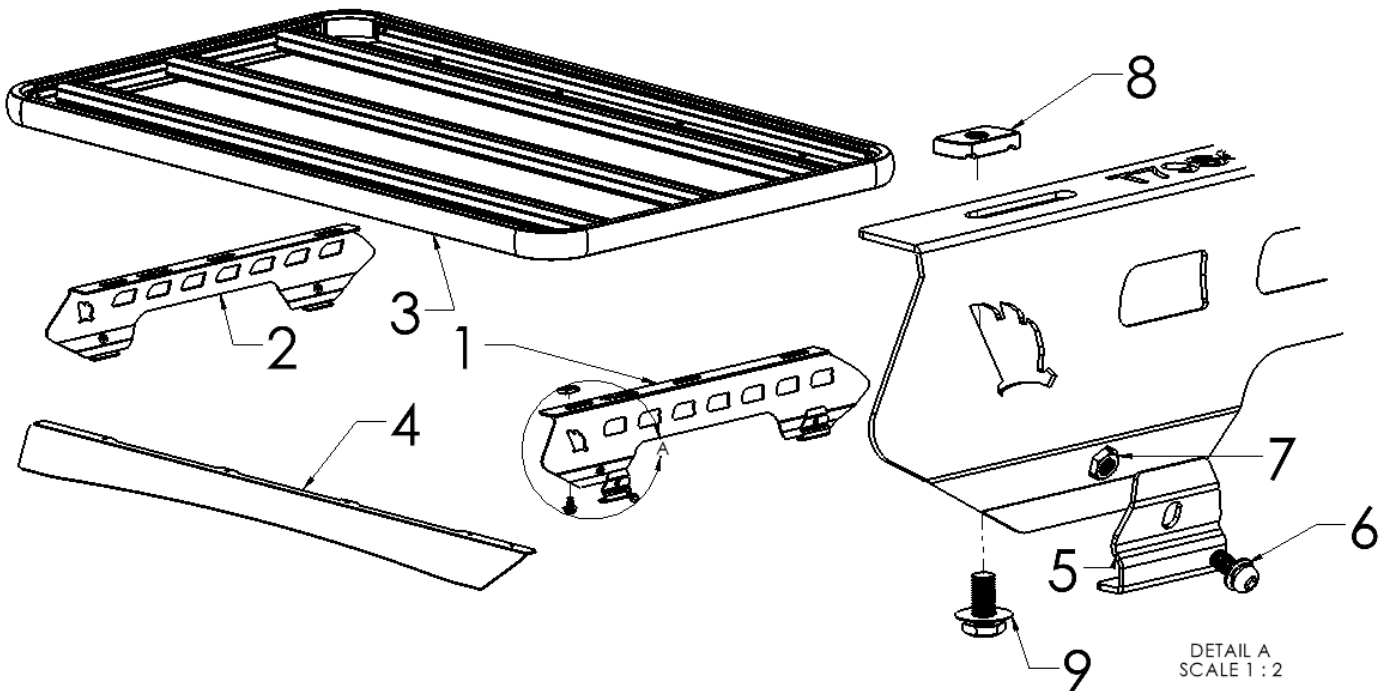
Congratulations on the purchase of your Australian made Wedgetail Roof Rack product.

Please read and follow the instructions carefully to ensure correct fitment.

Contact us if any parts appear missing, incorrect, or damaged.

Tools Required:

- Spanner (13 and 17 mm)



KIT CONTENTS					
ITEM	COMPONENT	QTY	ITEM	COMPONENT	QTY
1	Toyota 79s Single Cab Wedgetail Left Rails	1	6	M8 x 22 Darco Black	4
2	Toyota 79s Single Cab Wedgetail Right Rail	1	7	M8 Wiz Nut	4
3	Wedgetail Pre-assemble Platform	1	8	M10 Unistrut	6
4	Wedgetail Wind Deflector & kits	1	9	M10 x 20 Stainless Hex Bolt	6
5	Number 1 Clip	4	10		

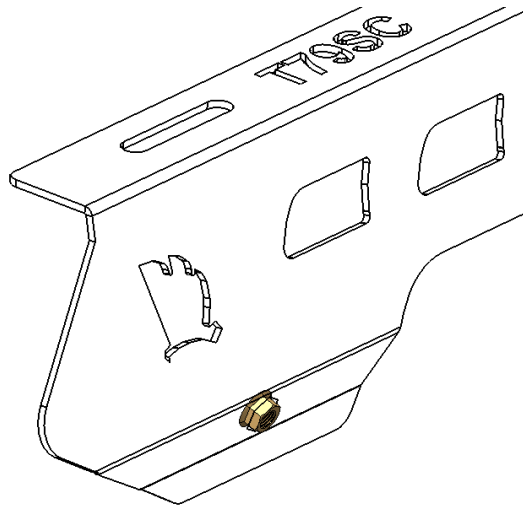
Assemble Rails to Gutter

1

Put on the rubber gutter strip at the bottom of the rail to avoid scratching the gutter. And place the rail into the gutter in the desired location

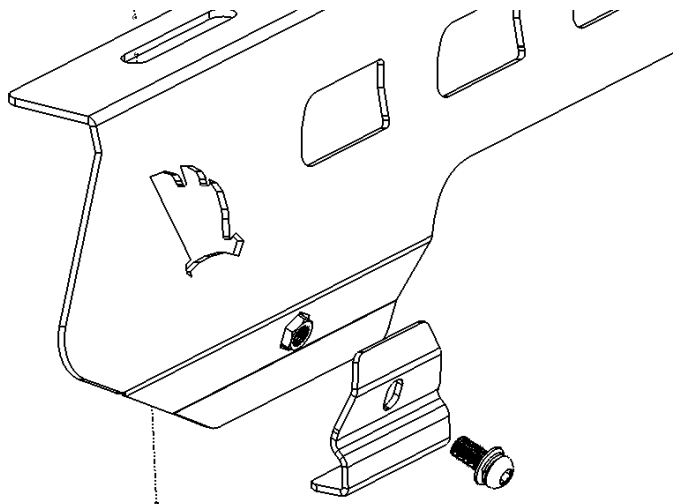
2

Insert M8 Wiz Nuts from the back of the rail as shown in the diagram.



3

Mount the holding clip to the rail and gutter using M8 Bolt, Spring washer and plain Washer. Put on some tape underneath the gutter where the clip will sit.



4

Repeat the same for rest of the clips.

Wedgetail Rails and Platform Fitting Instruction

To suit Toyota Landcruiser 79 series Single Cab

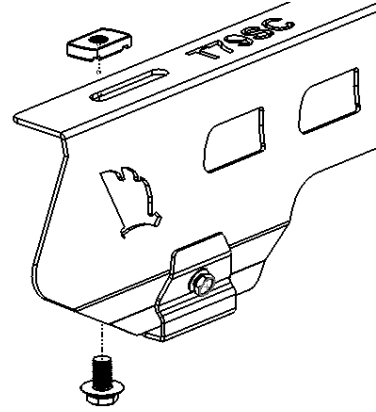


WT-T79SC-0814

5

- **Attach the channel nuts to the top of rail.**
 - Fit 10mm Bolt / Split washer / Flat washer / Channel Nuts to the top of rail.

* Channel nuts to the top as shown in the following diagram



Assemble the Wedgetail Platform to the rails

6

- Place the Wedgetail Platform on the rails (Wind deflector mounting towards the front of vehicle), then spin the channel nuts 90 degree in the channel on the underside of the rack till they lock into the channels. Do not tighten fully.

7

- Centralize the rack side to side (using a tape measure) on the wedgetail rails.

8

- **Fully tighten remaining bolts in the following order:**
 1. Rails to the lugs
 2. Rails to platform
 3. Attach wind Deflector.

NOTE-Ensure the channel nuts are 90 degrees to the channels.



Check fastenings are firmly tensioned at regular intervals.

Do not overtighten, this will preserve the spring washers.

Thank you for your purchase.

Please complete your warranty application following correct installation.

Wedgetail by Tradesman Roof Racks

Innovation through Inspiration