

Wedgetail Rails and Platform Fitting Instruction

To suit Iveco 70C Dual Cab



WT-I70CDC-1416

Congratulations on the purchase of your Australian made Wedgetail Roof Rack product.

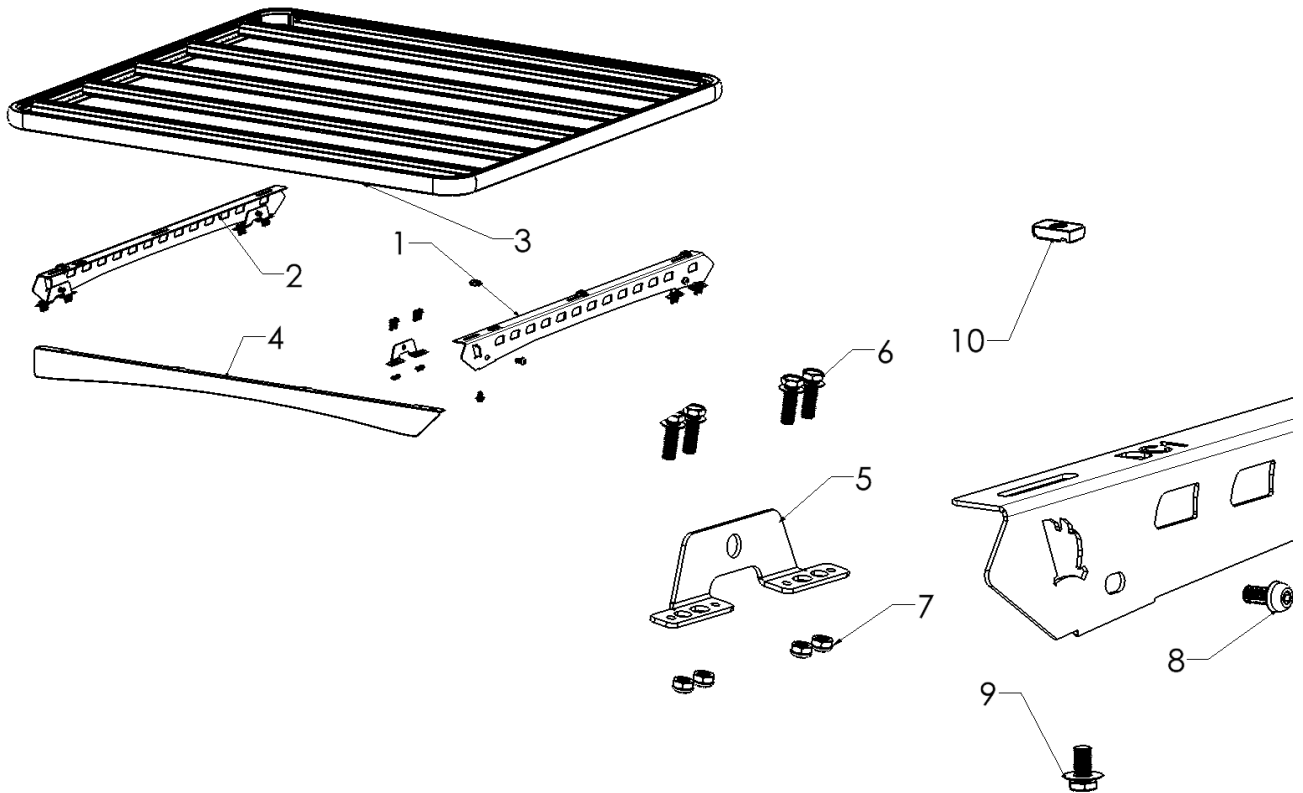
Please read and follow the instructions carefully to ensure correct fitment.

Contact us if any parts appear missing, incorrect, or damaged.

Clean the roof prior to fitting the roof racks.

Tools Required:

- Hex key (6 and 8 mm)
- Drill (8mm)



KIT CONTENTS

ITEM	COMPONENT	QTY	ITEM	COMPONENT	QTY
1	Wedgetail DC1 Left Rail	1	6	M8 x 25 Sems Bolt Hex	16
2	Wedgetail DC1 Right Rail	1	7	8mm Nyloc Nut	16
3	Wedgetail Pre-assemble platform	1	8	M10 Dacro Sems Dome Head	4
4	Wedgetail Wind Deflector & kits	1	9	M10 x 20 Stainless Hex Bolt	6
5	Colorado Lug	4	10	M10 Unistrut	6

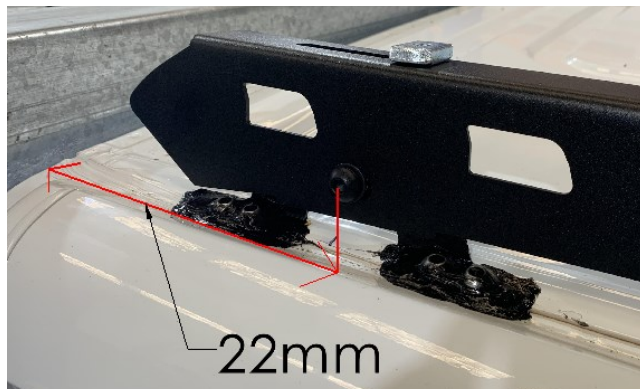
Assemble Lugs to roof

1

- Remove the car headliner to expose the ceiling of the vehicle

2

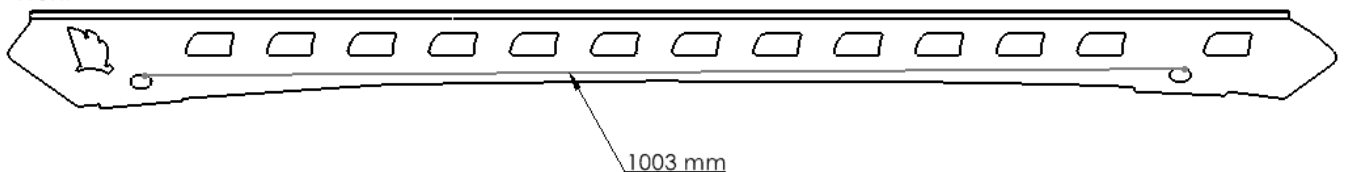
- Place the mounting lug in the roof channel as per measurement shown in the diagram
- Mark down the 4 centre mounting hole position using marker
 - Centre of Rear Mounting Lug approx 22mm from the rear of the cab



Front

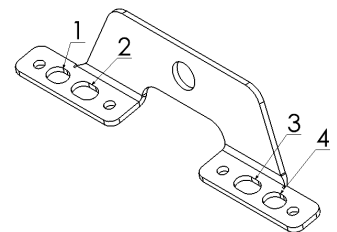
- Centre distance between front and rear lug approx 1003 mm

Rear



3

- Drill all 4 mounting holes in each lug using 8mm drill with drill stop



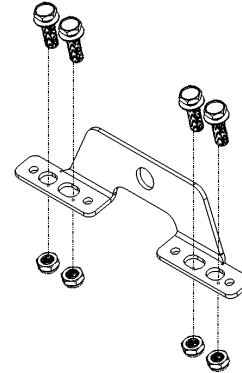
4

- Apply silicone on all the roof channel mounting holes to prevent any water ingress.

Assemble Lugs to roof

5

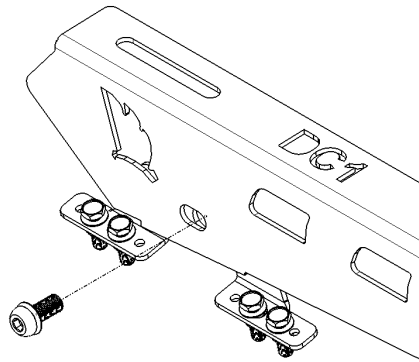
- Fit lugs to the vehicle using 8mm hardware



Assemble rails to lugs

6

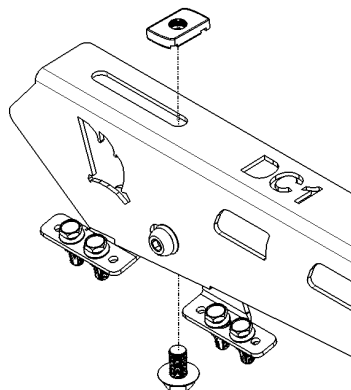
- Fit rails to the vehicle using 10mm hardware (wedgetail logo facing to the front of vehicle)



7

- Attach the channel nuts to the top of rail.
 - Fit 10mm Bolt / Split washer / Flat washer / Channel Nuts to the top of rail.

* Channel nuts to the top as shown in the following diagram





Assemble the Wedgetail Platform to the rails

8

- Place the Wedgetail Platform on the rails (Wind deflector mounting towards the front of vehicle), then spin the channel nuts 90 degree in the channel on the underside of the rack till they lock into the channels. Do not tighten fully.

9

- Centralize the rack side to side (using a tape measure) on the wedgetail rails.

10

- Fully tighten remaining bolts in the following order:
 1. Rails to the lugs
 2. Rails to platform
 3. Attach wind Deflector.

NOTE-Ensure the channel nuts are 90 degrees to the channels.



Check fastenings are firmly tensioned at regular intervals.

Do not overtighten, this will preserve the spring washers.

Thank you for your purchase.

Please complete your warranty application following correct installation.

Wedgetail by Tradesman Roof Racks

Innovation through Inspiration