

Wedgetail Rails and Platform Fitting Instruction

To suit Iveco Daily 50C LWB



WT-IVD50C-5014

Congratulations on the purchase of your Australian made Wedgetail Roof Rack product.

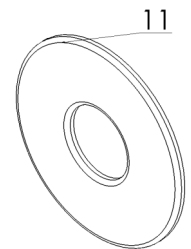
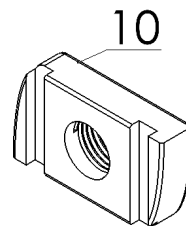
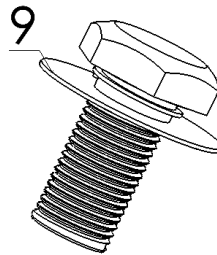
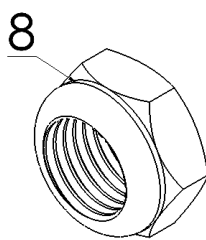
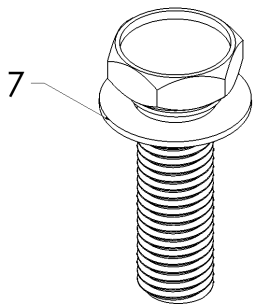
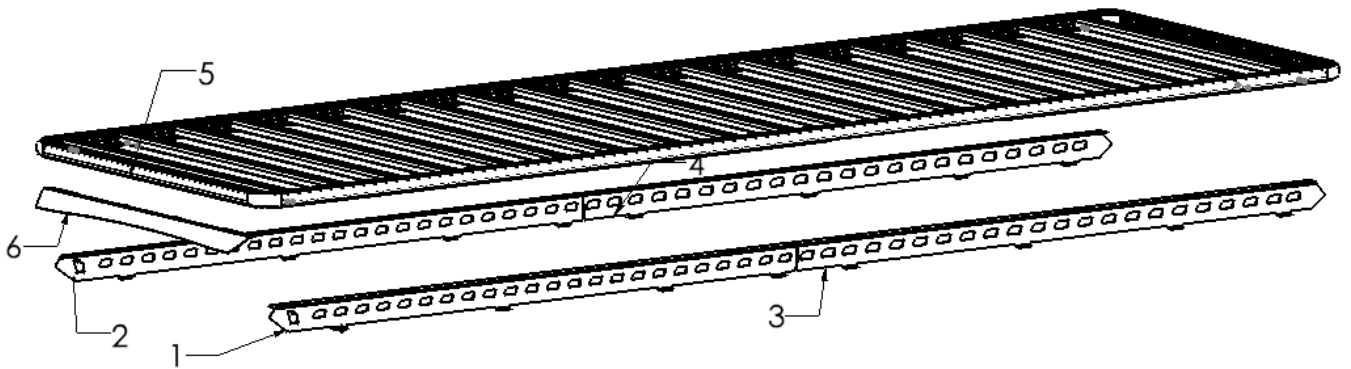
Please read and follow the instructions carefully to ensure correct fitment.

Contact us if any parts appear missing, incorrect, or damaged.

Clean the roof prior to fitting the roof racks.

Tools Required:

- Hex key (6 mm)
- Drill bit (5mm-9mm)

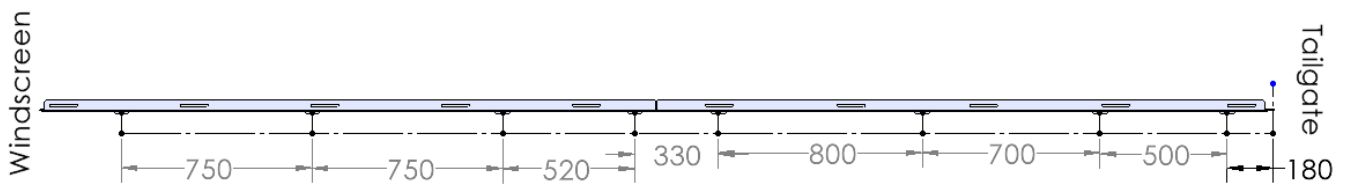


KIT CONTENTS					
ITEM	COMPONENT	QTY	ITEM	COMPONENT	QTY
1	Wedgetail Iveco Daily Van 50C LWB Left Front Rail	1	7	M8 x 25 Hex Bolt	16
2	Wedgetail Iveco Daily Van 50C LWB Right Front Rail	1	8	M8 Nyloc Nut	16
3	Wedgetail Iveco Daily Van 50C LWB Left Rear Rail	1	9	M10 x 20 Stainless Hex Bolt Sems	20
4	Wedgetail Iveco Daily Van 50C LWB Right Rear Rail	1	10	M10 Unistrut	20
5	Wedgetail Pre-assemble platform	1	11	8mm Flat Washer	16
6	Wind Deflector kit	1			

Assemble Rails to Roof

1

- Place the rails on the roof and use the Marker to mark the holes
- The distance between the last mounting hole and the tailgate should be around 180mm.
- The distance between each mounting holes are listed below, please check before process to next step



Unit:mm

2

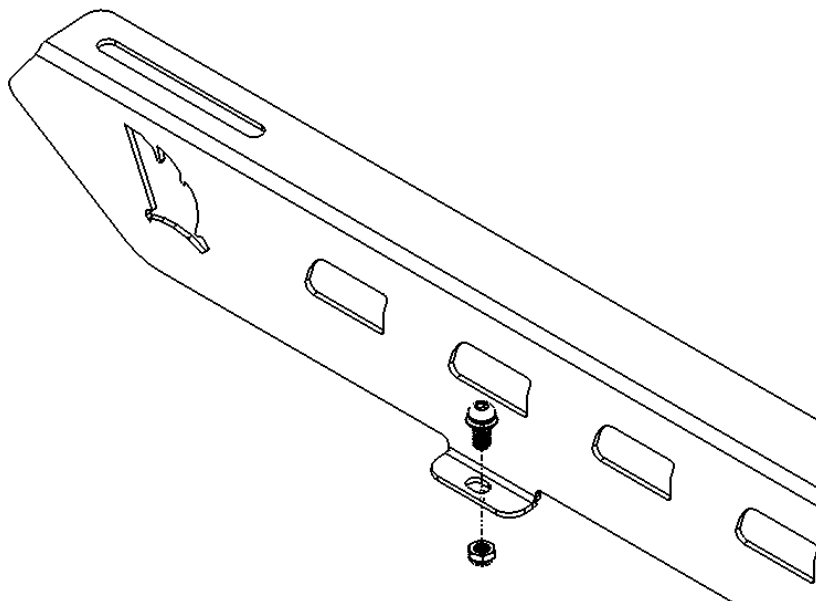
- Drill the mounting holes using a 5mm drill bit up to 9mm with drill stop, drilling one at a time then placing a M8 Hex bolt through to keep lined up

3

- Apply silicone on all the roof channel mounting holes to prevent any water ingress.

4

- Locate rail on top and place M8 stainless bolts through the holes.
- Fasten using M8 Nyloc and Flat Washer Nut from underneath.



Wedgetail Rails and Platform Fitting Instruction

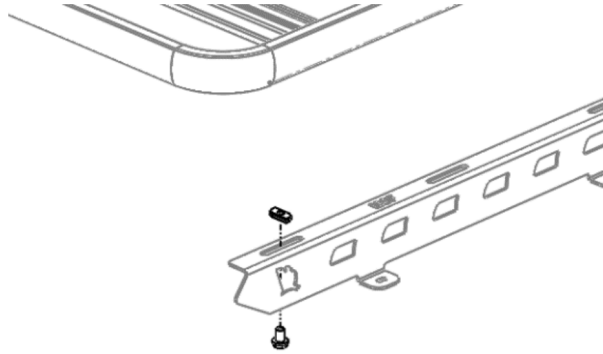
To suit Iveco Daily 50C LWB



WT-IVD50C-5014

5

- Attach the channel nuts to the top of rail.
 - Fit 10mm Bolt / Split washer / Flat washer / Channel Nuts to the top of rail.
- * Channel nuts to the top as shown in the following diagram



Assemble the Wedgetail Platform to the rails

6

- Place the Wedgetail Platform on the rails (Wind deflector mounting towards the front of vehicle), then spin the channel nuts 90 degree in the channel on the underside of the rack till they lock into the channels. Do not tighten fully.

7

- Centralize the rack side to side (using a tape measure) on the wedgetail rails.

8

- Fully tighten remaining bolts in the following order:
 1. Rails to the lugs
 2. Rails to platform
 3. Attach wind Deflector.

NOTE-Ensure the channel nuts are 90 degrees to the channels.



Check fastenings are firmly tensioned at regular intervals.

Do not overtighten, this will preserve the spring washers.

Thank you for your purchase.

Please complete your warranty application following correct installation.

Wedgetail by Tradesman Roof Racks

Innovation through Inspiration