

Wedgetail Rails and Platform Fitting Instruction

To suit Mercedes Benz Vito LWB Van



WT-MVTL-2814

Congratulations on the purchase of your Australian made Wedgetail Roof Rack product.

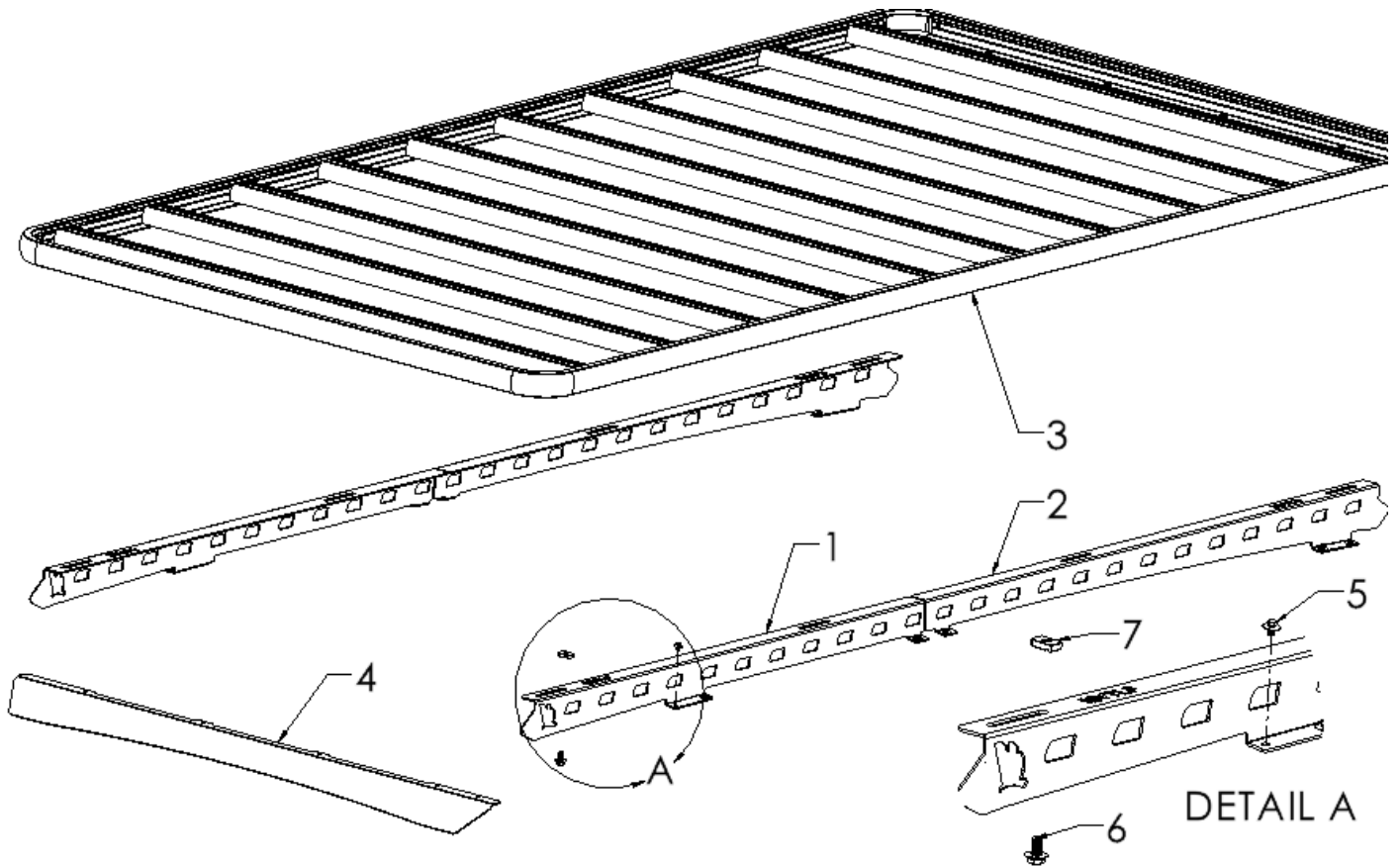
Please read and follow the instructions carefully to ensure correct fitment.

Contact us if any parts appear missing, incorrect, or damaged.

Clean the roof prior to fitting the roof racks.

Tools Required:

- Hex key (4 and 8 mm)



KIT CONTENTS					
ITEM	COMPONENT	QTY	ITEM	COMPONENT	QTY
1	Mercedes Benz Vito LWB Front Rails	2	5	M6 x 12 mm Hex Sems	10
2	Mercedes Benz Vito LWB Rear Rails	2	6	M10 x 20 Stainless Hex Bolt Sems	8
3	Wedgetail Pre-assemble Platform	1	7	M10 Unistrut	8
4	Wedgetail Wind Deflector & Kits	1			

Wedgetail Rails and Platform Fitting Instruction

To suit Mercedes Benz Vito LWB Van



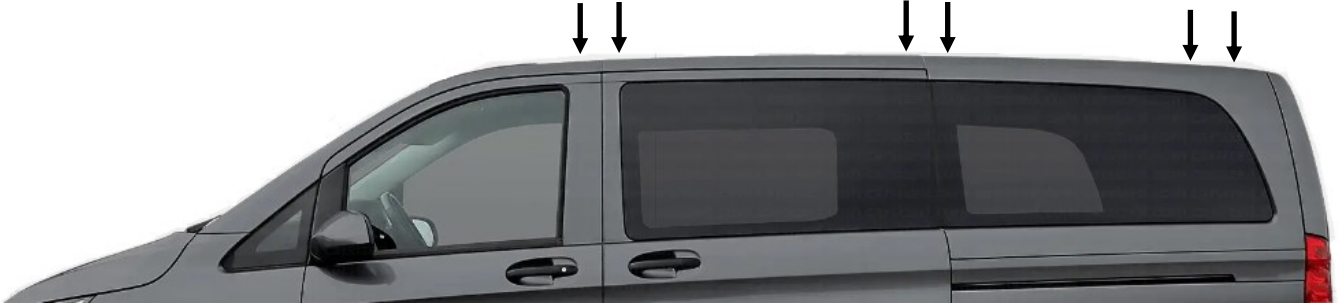
WT-MVTL-2814

Removing Rubber mould

1

- Remove 6 OEM plastic caps per sides in the roof channel shown to expose the factory mounting points.

(Note: Except the plastic caps which are close to the windscreen)



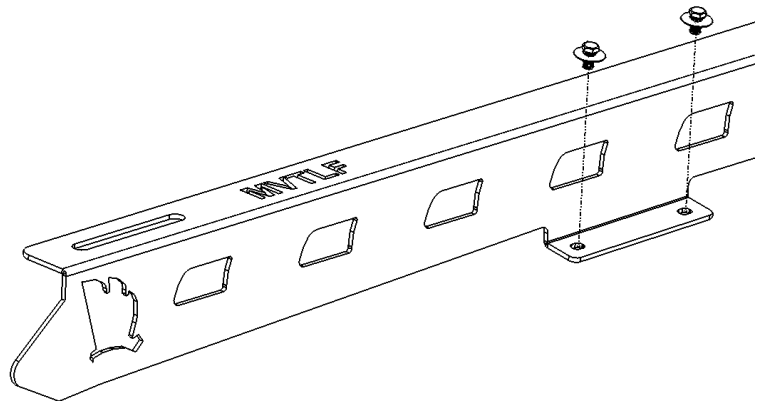
2

- Apply silicone on all the roof channel mounting holes to prevent any water ingress.

Assemble rails to roof

3

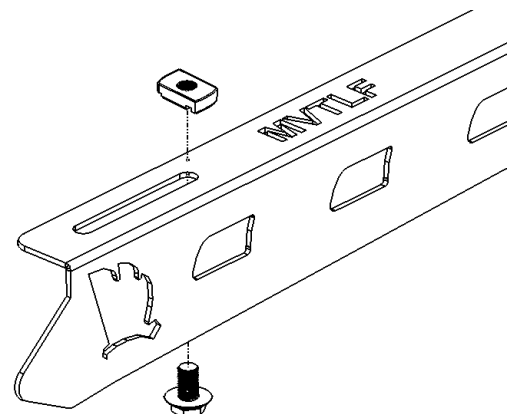
- Fit rails to the vehicle using 6mm hardware (wedgetail logo facing to the front of vehicle)



4

- Attach the channel nuts to the top of rail.
 - Fit 10mm Bolt / Split washer / Flat washer / Channel Nuts to the top of rail.

* Channel nuts to the top as shown in the following diagram





Assemble the Wedgetail Platform to the rails

5

- Place the Wedgetail Platform on the rails (Wind deflector mounting towards the front of vehicle), then spin the channel nuts 90 degree in the channel on the underside of the rack till they lock into the channels. Do not tighten fully.

6

- Centralize the rack side to side (using a tape measure) on the wedgetail rails.

7

- **Fully tighten remaining bolts in the following order:**
 1. Rails to the lugs
 2. Rails to platform
 3. Attach wind Deflector.

NOTE-Ensure the channel nuts are 90 degrees to the channels.



Check fastenings are firmly tensioned at regular intervals.

Do not overtighten, this will preserve the spring washers.

Thank you for your purchase.

Please complete your warranty application following correct installation.

Wedgetail by Tradesman Roof Racks

Innovation through Inspiration