



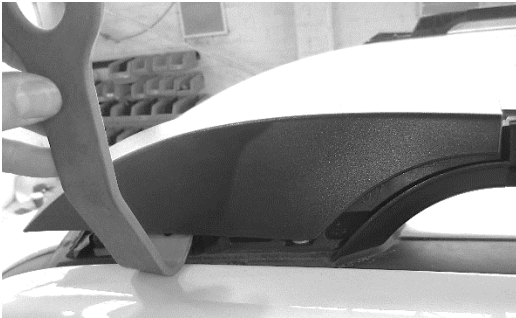
**WT-RDIS3/4-2213**

## Land Rover Discovery

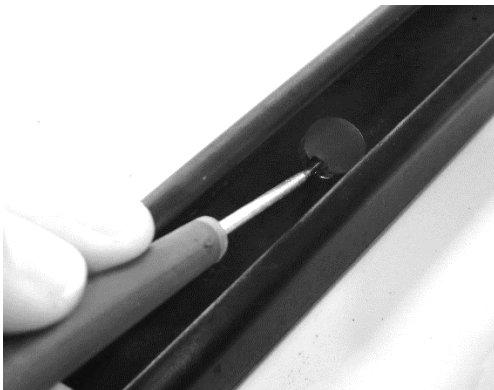
### INSTALLING RAILS AND ROOF RACK:

**Congratulations on the purchase of your quality Australian made Wedgetail Roof Rack product, please follow these instructions to ensure a safe and correct fitment.**

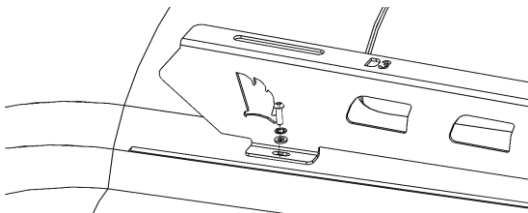
1. Remove the external plastic retainer clips from the roof rail using a trim remover as shown in the image below.



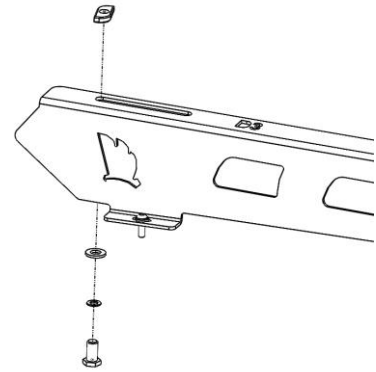
2. Remove the small plastic stops from the roof mounting threads and then remove the bolt as shown below.



3. Apply silicone on all the roof channel mounting holes to prevent any water ingress.
4. Fit rails to the vehicle using 6mm hardware (wedgetail logo facing to the front of vehicle)



5. Fit the 10mm hardware on top of the rail using M10 bolt, washer and channel nut provided.



6. Place the Wedgetail Platform on the rails (Wind deflector mounting towards the front of vehicle), then rotate the channel nuts 90 degree in the channel on the underside of the platform until they lock into the channels. Do not tighten fully.
7. Centralize the rack side to side (using a tape measure).
8. Fully tighten remaining bolts in the following order:
  - a) Rails to Platform
  - \* Ensure the channel nuts are 90 degrees to the channels in the platform
  - \* Install wind deflector using 8mm hardware

**Note:** Check fastenings are firmly tensioned at regular intervals.

**Do not overtighten, this will preserve the spring washers.**

**Thank you for your purchase**

Please complete your warranty application following correct installation

**Wedgetail by Tradesman Roof Racks**  
*Innovation through Inspiration*