

# Wedgetail Rails and Platform Fitting Instruction

To suit Volkswagen T5 / T6 LWB Van



WT-VT5L-3014

**Congratulations on the purchase of your Australian made Wedgetail Roof Rack product.**

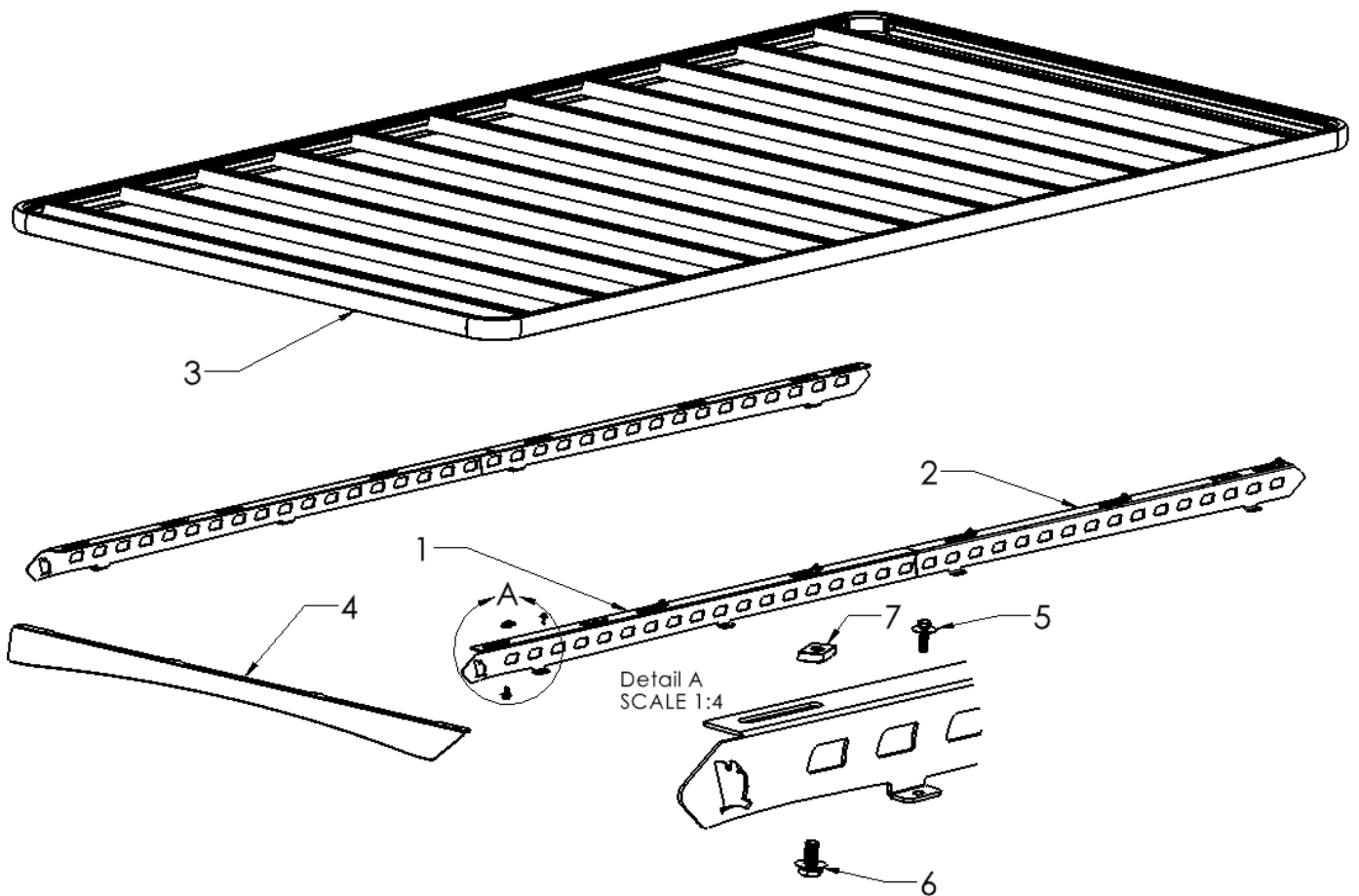
Please read and follow the instructions carefully to ensure correct fitment.

Contact us if any parts appear missing, incorrect, or damaged.

Clean the roof prior to fitting the roof racks.

### Tools Required:

- Hex key (4 and 8 mm)



KIT CONTENTS					
ITEM	COMPONENT	QTY	ITEM	COMPONENT	QTY
1	Volkswagen T5 LWB Front Rails	2	5	M6 x 20 mm Hex Sems	8
2	Volkswagen T5 LWB Rear Rails	2	6	M10 x 20 Stainless Hex Bolt Sems	12
3	Wedgetail Pre-assemble Platform	1	7	M10 Unistrut	12
4	Wedgetail Wind Deflector & Kits	1			

# Wedgetail Rails and Platform Fitting Instruction

To suit Volkswagen T5 / T6 LWB Van



WT-VT5L-3014

## Removing Rubber mould

1

- Remove the rubber mould in the roof channel to expose the factory mounting points

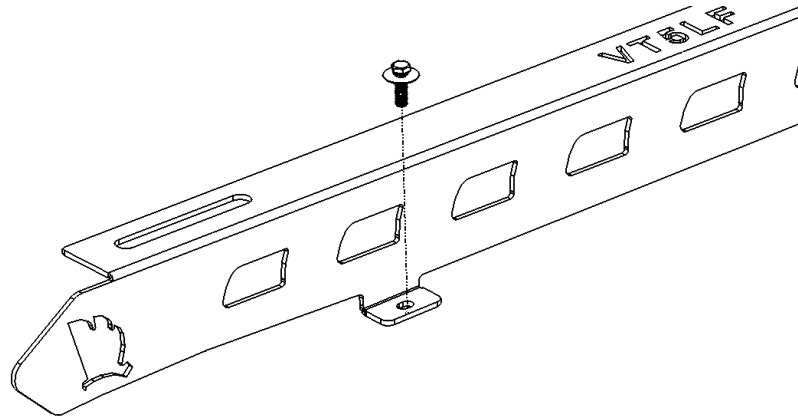
2

- Apply silicone on all the roof channel mounting holes to prevent any water ingress.

## Assemble rails to roof

3

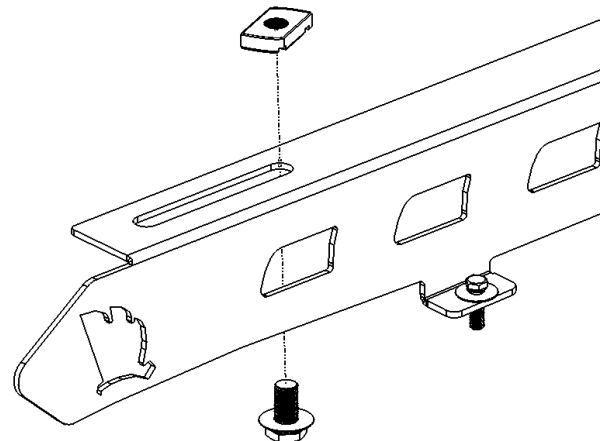
- Fit rails to the vehicle using 6mm hardware (wedgetail logo facing to the front of vehicle)



4

- **Attach the channel nuts to the top of rail.**
  - Fit 10mm Bolt / Split washer / Flat washer / Channel Nuts to the top of rail.

\* Channel nuts to the top as shown in the following diagram





### Assemble the Wedgetail Platform to the rails

5

- Place the Wedgetail Platform on the rails (Wind deflector mounting towards the front of vehicle), then spin the channel nuts 90 degree in the channel on the underside of the rack till they lock into the channels. Do not tighten fully.

6

- Centralize the rack side to side (using a tape measure) on the wedgetail rails.

7

- **Fully tighten remaining bolts in the following order:**
  1. Rails to the lugs
  2. Rails to platform
  3. Attach wind Deflector.

**NOTE**-Ensure the channel nuts are 90 degrees to the channels.



Check fastenings are firmly tensioned at regular intervals.

Do not overtighten, this will preserve the spring washers.

Thank you for your purchase.

Please complete your warranty application following correct installation.

Wedgetail by Tradesman Roof Racks

Innovation through Inspiration