

Congratulations on the purchase of your Australian made Wedgetail Roof Rack product.

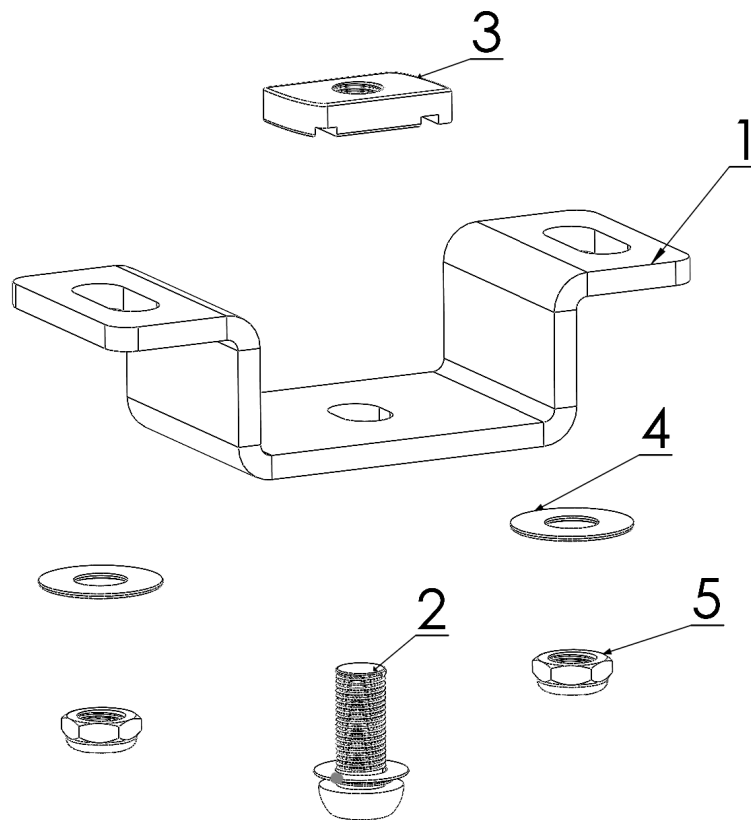
Please read and follow the instructions carefully to ensure correct fitment.

Contact us if any parts appear missing, incorrect, or damaged.

Contact us if any question about the size of platform to ensure the correct fitment

Tools Required:

- Hex key (6mm)
- Spanner (17mm)

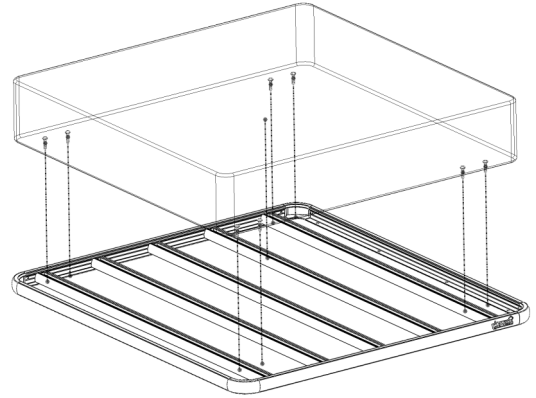


KIT CONTENTS

ITEM	COMPONENT	QTY	ITEM	COMPONENT	QTY
1	Wedgetail Roof Top Tent Mounting Bracket	4	4	M10 Mud Washer	8
2	M10 x 25 Dacro	4	5	10MM Nyloc Nut	8
3	M10 Unistrut	4			

1

- Place the tent on the wedgetail Platform.
- Adjust the position of the channel nut and screw provided by the tent manufacturer. Place them close to the crossbar as much as possible.



2

- Place the Wedgetail Roof Top Tent bracket under the crossbar using M10 Bolt and Unistrut. Refer to the diagram

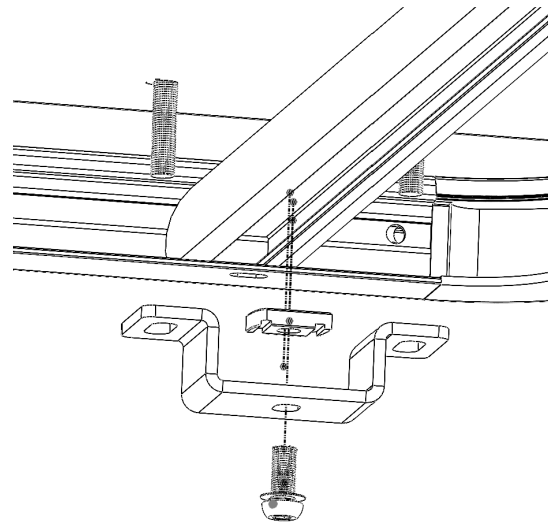
Item used in this step	
Item 2	Roof Top Tent Bracket
Item 3	M10 Unistrut
Item 4	M10 x 25 Dacro

NOTE-Ensure the channel nuts are 90 degrees to the channels.



Check fastenings are firmly tensioned at regular intervals.

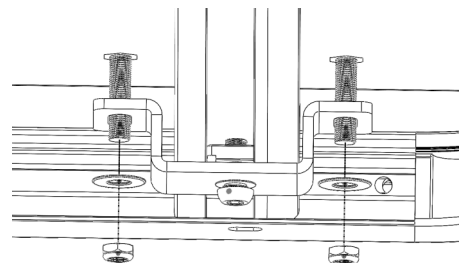
Do not overtighten, this will preserve the spring washers.



3

- Assemble the roof top tent bracket with the tent using M10 Washer and M10 Nyloc Nut.

Item used in this step	
Item 1	M10 Mud Washer
Item 3	10MM Nyloc Nut



Thank you for your purchase.

Wedgetail by Tradesman Roof Racks