

Congratulations on the purchase of your Australian made Wedgetail Roof Rack product.

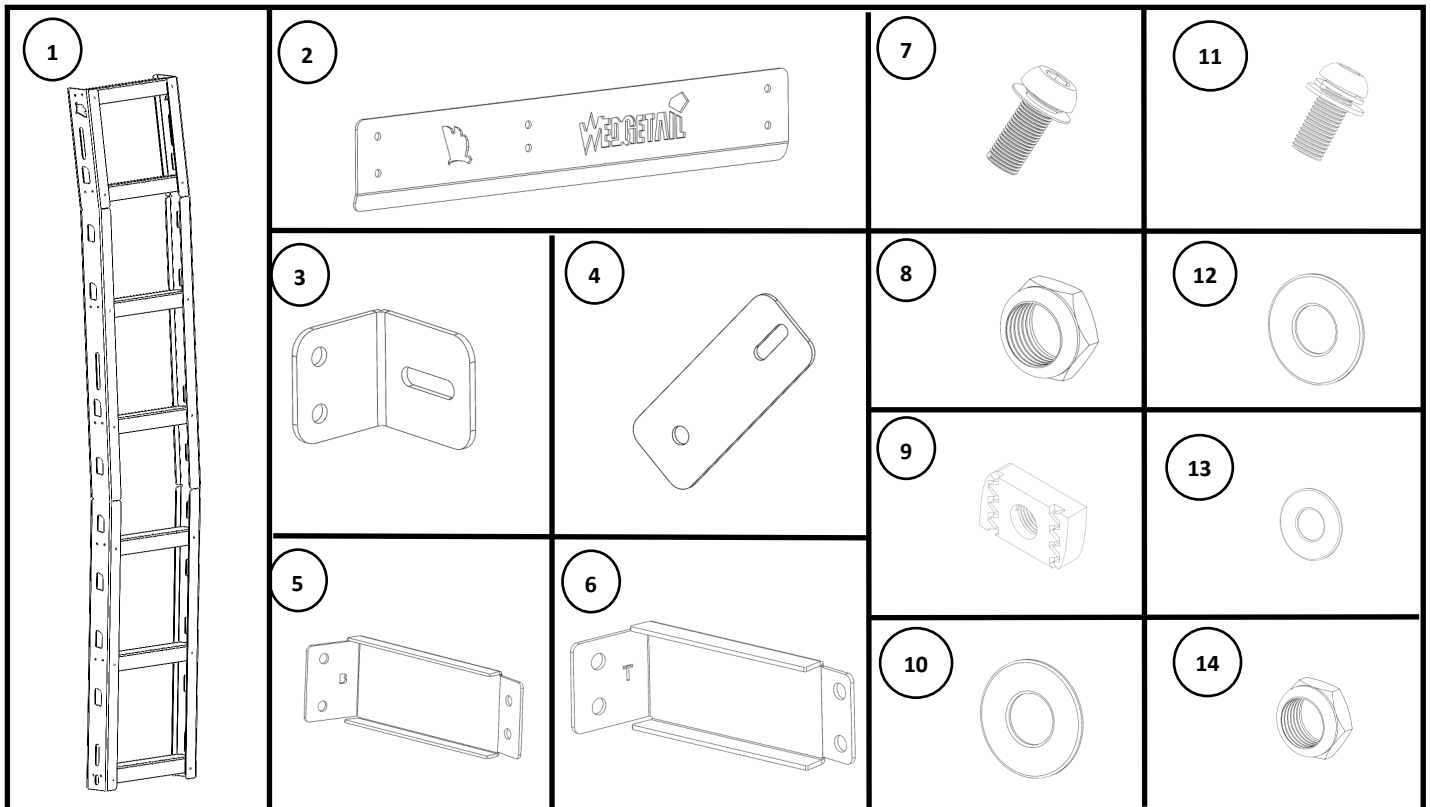
Please read and follow the instructions carefully to ensure correct fitment.

Contact us if any parts appear missing, incorrect, or damaged.

Contact us if any question about the size of platform to ensure the correct fitment

Tools Required:

- Hex key (6mm & 8mm)
- Plastic scraper
- Drill bit



KIT CONTENTS

ITEM	COMPONENT	QTY	ITEM	COMPONENT	QTY
1	Wedgetail Sprinter Ladder	1	8	10MM Nyloc Nut	4
2	Wedgetail Outer Door Brace	4	9	M10 Unistrut	4
3	Wedgetail Right-Angled Support plate	2	10	10mm Flat Washer	4
4	Wedgetail Support Plate	2	11	M8 X 22 Dacro Black	12
5	Wedgetail Bottom Hinge Bracket	1	12	M8 Large Flat Washer	4
6	Wedgetail Top Hinge Bracket	1	13	M8 Small Flat Washer	8
7	M10 Dacro Sems Dome Head Bolt 25mm	8	14	M8 Nyloc Nut	12

Wedgetail Accessory Sprinter Ladder

Fitting Instruction



WTA-SLD

1

- Remove inner door trim
- Mount top and bottom hinge mounts loosely to the hinges using M10 bolt and channel nuts on inside of hinge

Top Hinge



Bottom Hinge



Item used in this step

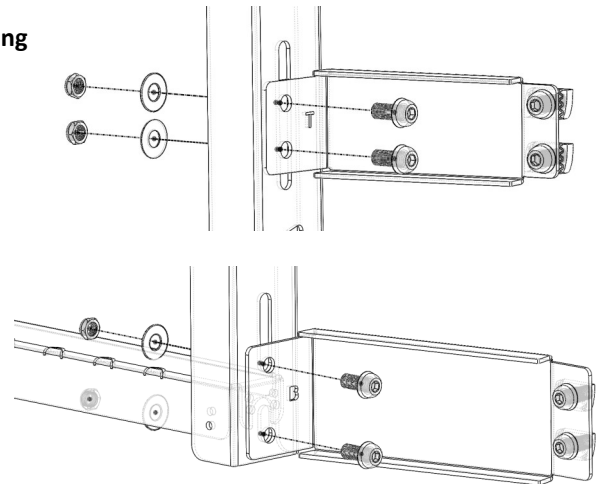
Item 5	Wedgetail Bottom Hinge Bracket
Item 6	Wedgetail Top Hinge Bracket
Item 7	M10 Dacro Sems Dome Head Bolt 25mm
Item 9	M10 Unistrut

2

- Mount the ladder to the hinge brackets using M10 bolts, washers and nylon nuts.
- Tighten all bolts from step 1 and 2

Item used in this step

Item 1	Wedgetail Ladder
Item 6	10 MM Nyloc Nut
Item 7	M10 Dacro Sems Dome Head Bolt 25mm
Item 9	10mm Flat Washer



3

- Lining up the side of the ladder hold right angled brackets up on the door skin with the bottom edge lining up with the door seam at top and bottom mounts, mark holes to be drilled with a marking pen.

*** Some models may need to have a badge removed these are only held in place with double sided tape so using a plastic scraper remove then clean off any leftover tape.**

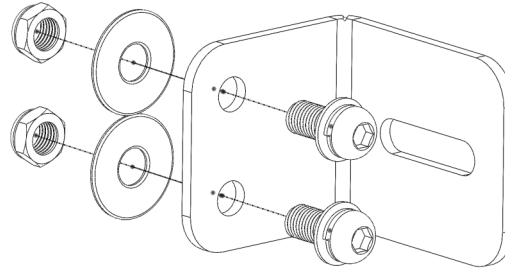


4

- Remove the ladder off the hinge brackets and set aside.
- Drill all 4x holes. Using the lower Wedgetail mount sit bolts in centre holes and mark outside holes in end of the bracket. Before drilling check distance of holes from door seem (should be 15mm to centre hole) then when all lined up drill all holes.
- Deburr and paint all exposed bare metal, then with natural cure silicon cover all holes.

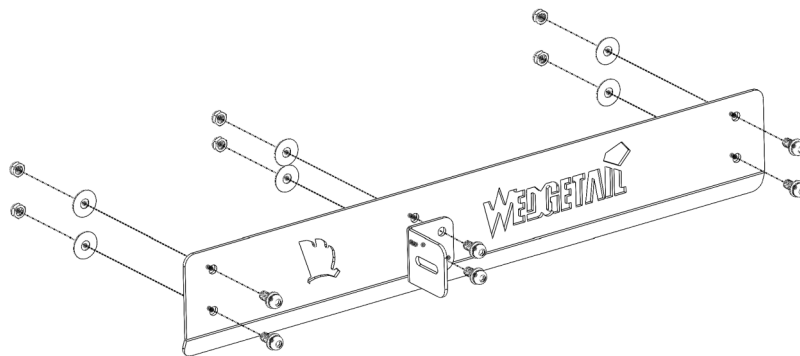
5

- Top mount use 2x M8 bolts large M8 flat washer and nyloc nuts bolt in place and tighten.



Item used in this step	
Item 2	Wedgetail Outer Floor Brace
Item 3	Wedgetail Right Angled Support Plate
Item 11	M8 x22 Dacro Black
Item 12	M8 Large Flat Washer
Item 14	M8 Nyloc Nut

- The lower mount using 6x M8 bolts large M8 washers and Nyloc nuts

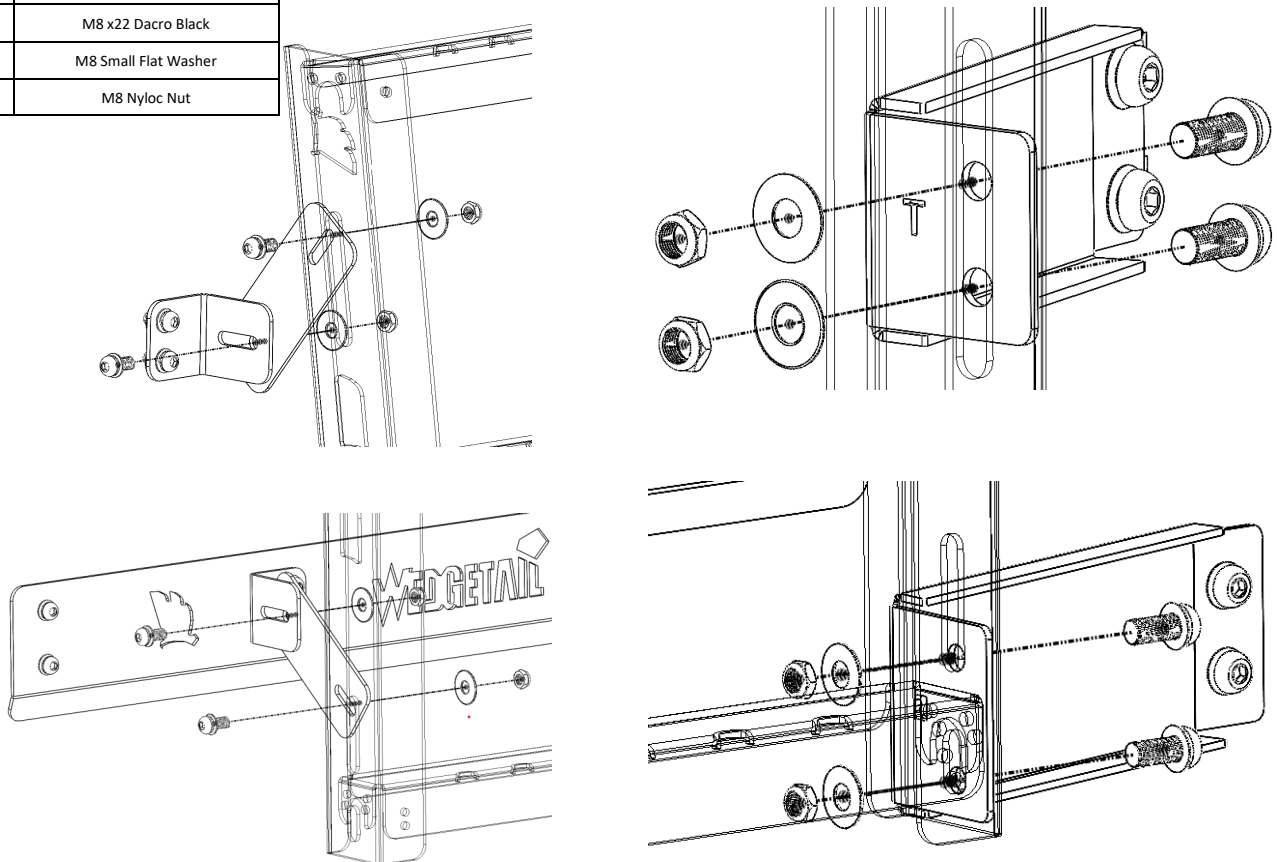


- Put all bolts through lower mounting plate and through the right-angled bracket to the middle holes loosely
- When all bolts are started go back over and tighten.
- Clean off any silicon coming out from around the mounts.

6

- Re-mount ladder to hinge brackets and using 2x flat plates supplied bolt from brackets mounted to door to the slots in the ladder. When tightening these make sure to line up the ladder with the door skin and then tighten in place.

Item used in this step	
Item 1	Wedgetail Sprinter Ladder
Item 4	Wedgetail Support Plate
Item 11	M8 x22 Dacro Black
Item 13	M8 Small Flat Washer
Item 14	M8 Nyloc Nut



7

- Recommended using a Sikka flex adhesive sealant on all inner frames to the door skin. The factory adhesive is known as being weak and this will stop rattles later and will give both top and bottom mounts more strength.
- Reinstall door trim

Thank you for your purchase.

Wedgetail by Tradesman Roof Racks

Innovation through Inspiration